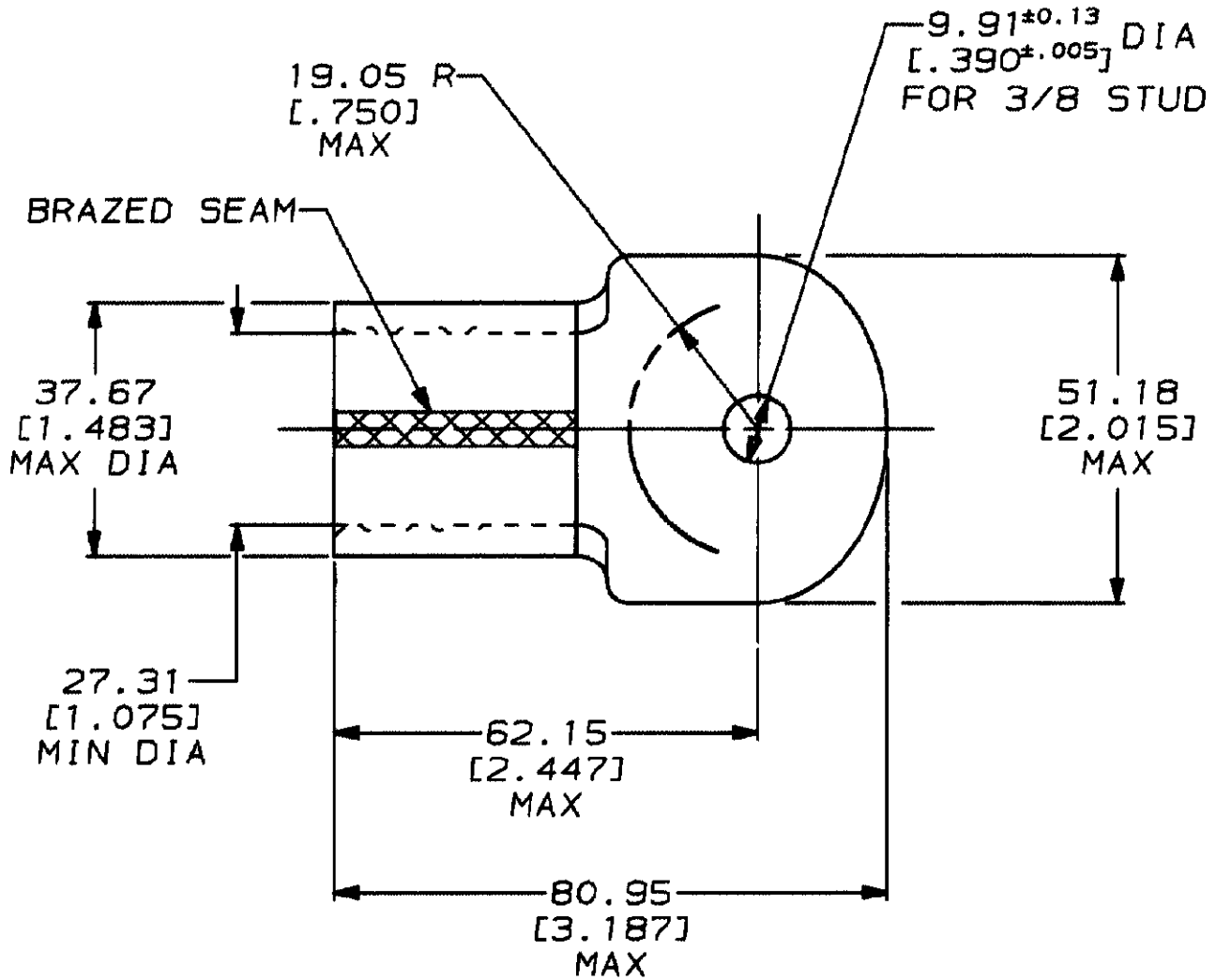


DRAWING MADE IN THIRD ANGLE PROJECTION

THIS DRAWING IS A CONTROLLED DOCUMENT FOR AMP INCORPORATED. IT IS SUBJECT TO CHANGE AND THE CONTROLLING ENGINEERING ORGANIZATION SHOULD BE CONTACTED FOR THE LATEST REVISION.

LOC	DIST	P	F	LTR	DESCRIPTION	DATE	APPROVED
G	14			D	REVISED & REDRAWN PER G-5803	6/12/92	DKS / AJK



THIS DRAWING IS UNPUBLISHED. RELEASED FOR PUBLICATION BY AMP INCORPORATED. ALL INTERNATIONAL RIGHTS RESERVED. © COPYRIGHT 19

322267  
PART NO

DO NOT SCALE PRINT. UNLESS SPECIFIED DIMENSIONS IN mm [IN] TOLERANCES ON:  
2 PLC DEC ± 0.20[.008]  
3 PLC DEC \* -  
ANGLES \* -

MATERIAL  
COPPER ASTM B-152 ANNEALED

FINISH  
TIN PLATE  
0.00254[.000100] MIN THK PER MIL-T-10727

DR 6/12/92  
DK SCHRUM  
CHK 6/26/92  
RD HEIM  
APPD 6/26/92  
AJ KAUFMAN  
APPD 6/26/92  
CR RHOADS  
PRODUCT SPEC -  
APPLICATION SPEC -  
WEIGHT -

**AMP** AMP Incorporated  
Harrisburg, PA 17105-3608

NAME  
TERMINAL, RING TONGUE, SOLISTRAND™  
WIRE SIZE: 253.0-304.0mm<sup>2</sup> [500-600] MCM

SIZE <b>A</b>	CAGE CODE 00779	DRAWING NO <b>C-322267</b>
SCALE 1:1	SHEET 1 OF 1	

Downloaded from Elcodis.com electronic components distributor