

4

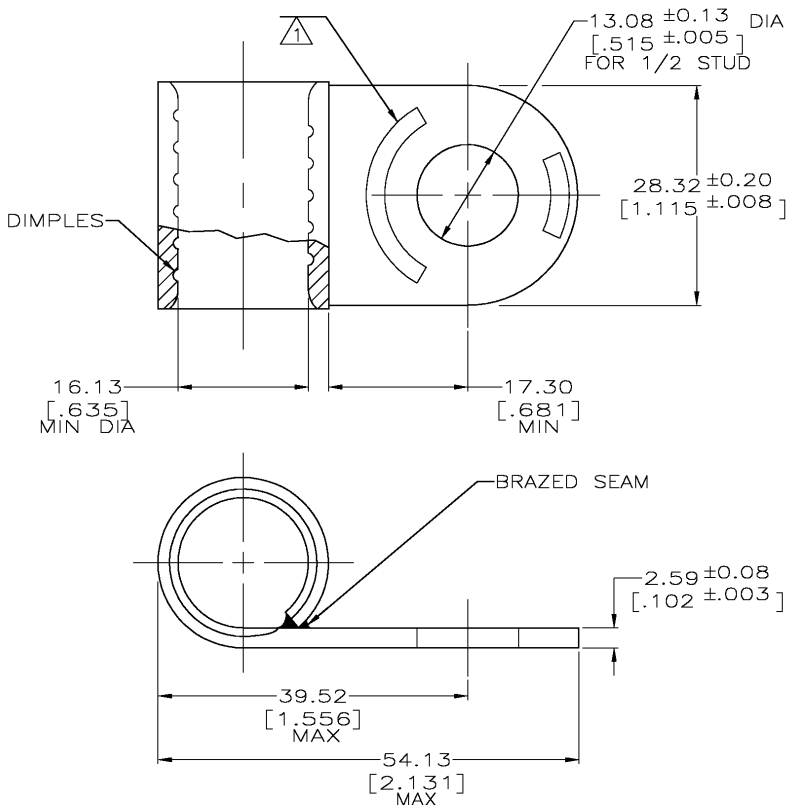
3

2

1

THIS DRAWING IS UNPUBLISHED. RELEASED FOR PUBLICATION
 © COPYRIGHT - BY TYCO ELECTRONICS CORPORATION. ALL RIGHTS RESERVED.

LOC	DIST	REVISIONS			
P	LTR	DESCRIPTION	DATE	DWN	APVD
G	14	E	REVISED PER OG3A-0799-03	17DEC03	JR MJS



AMP WIRE RANGE	Listed FILE E13288	LR7189 Certified
4/0 AWC SOLID OR STRANDED	4/0 AWC STRANDED	4/0 AWC SOLID OR STRANDED

- 1 STAMP AMP 4/0W* 200 APPROX AS SHOWN
- 2 TIN PL 0.00254[.000100] MIN THK PER ASTM B-545
- 3 NICKEL PL 0.00508[.000200] MIN THK PER QQ-N-290
- 4 UL AND CSA APPROVALS FOR P/N 321259 ONLY
- 5 COPPER PER ASTM B-152, ANNEALED

343° C MAX	3	321259-1
170° C MAX	2	321259 4
MAX OPERATING TEMPERATURE	FINISH	AMP PART NUMBER

**AMP INCORPORATED
CUSTOMER SERVICE SYSTEMS**

THIS DRAWING IS A CONTROLLED DOCUMENT.

DWN	DK SCHRUM	03OCT97
CHK	MJ SPICER	06OCT97
APVD	JL MECKLEY	06OCT97
PRODUCT SPEC	---	
APPLICATION SPEC	---	
WEIGHT	---	
CUSTOMER DRAWING	---	

Tyco Electronics			Tyco Electronics Corporation City, State, Zip		
NAME: TERMINAL, RING TONGUE, FLAG, SOLISTRAND					
SIZE	CAGE CODE	DRAWING NO	RESTRICTED TO		
A3	00779	321259	---		
SCALE: 2:1			SHEET	1 OF 1	REV E

FOR ADDITIONAL PRODUCT INFORMATION OR COPIES OF DRAWINGS AND TECHNICAL DOCUMENTS	PRODUCT INFORMATION CENTER 1-800-522-6752	RECOMMENDED OPERATING TEMPERATURE: SEE TABLE
FOR APPLICATION TOOLING INFORMATION	TOOLING ASSISTANCE CENTER 1-800-722-1111	VOLTAGE RATING: NOT APPLICABLE
FOR ORDER ENTRY	1-800-526-5142	WIRE CROSS SECTIONAL AREA RANGE: 96.3-117.0mm ² [190,000-231,000] CIR MILS SOLID OR STRANDED

DIMENSIONS:	MM [INCHES]	TOLERANCES UNLESS OTHERWISE SPECIFIED:
		0 PLC ± -
		1 PLC ± -
		2 PLC ± -
		3 PLC ± -
		4 PLC ± -
		ANGLES ± -
MATERIAL	---	FINISH
	5	SEE TABLE

AMP 1470-19 REV 31MAR2000

H:\dmtecm\