

4

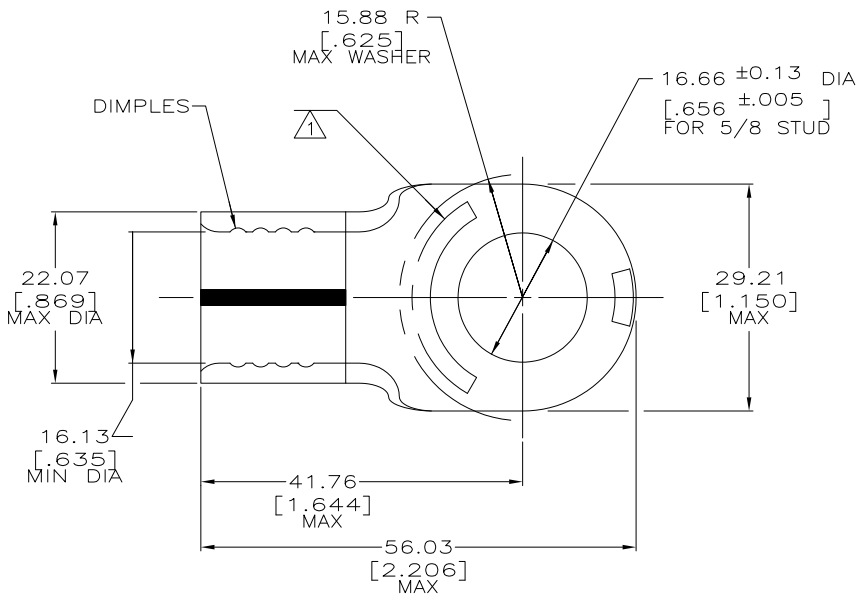
3

2

1

THIS DRAWING IS UNPUBLISHED. RELEASED FOR PUBLICATION
 © COPYRIGHT - BY TYCO ELECTRONICS CORPORATION. ALL INTERNATIONAL RIGHTS RESERVED.

LOC	DIST	REVISIONS			
P	LTR	DESCRIPTION	DATE	DWN	APVD
G	14				
	G1	REV PER ECR 09-026553	08DEC09	JR	TM



AMP WIRE RANGE	Listed FILE E13288	LR7189 Certified
4/0 AWG SOLID OR STRANDED	4/0 AWG SOLID OR STRANDED	4/0 AWG SOLID OR STRANDED

- 1 STAMP AMP 4/OW* 200 APPROX AS SHOWN
- 2 MATERIAL THK: 2.59 ±0.08 [.102 ±.003]
- 3 SEE RESTRICTED CUSTOMER DRAWING 36935-1
- 4 COPPER PER ASTM B-152, ANNEALED
- 5 TIN PLATE 0.00254 [.000100] MIN PER B-545
- 6 MEETS MS20659-159, CLASS 2

OBSOLETE 3	36935-1
6	36935
PART NUMBER	

CUSTOMER SERVICE SYSTEMS

THIS DRAWING IS A CONTROLLED DOCUMENT.		DWN DK SCHRUM 15MAY96	Tyco Electronics Corporation Harrisburg, PA 17105-3608	
DIMENSIONS: mm [INCHES]		CHK DM SWARTZ 01JUL96	NAME	
TOLERANCES UNLESS OTHERWISE SPECIFIED:		APVD JL MECKLEY 01JUL96	PRODUCT SPEC	
0 PLC ± -	1 PLC ± -	APPLICATION SPEC		
2 PLC ± 0.20[.008]	3 PLC ± -	WEIGHT -		
4 PLC ± -	4 PLC ANGLES ± -	SIZE A3	CAGE CODE 00779	DRAWING NO C-36935
MATERIAL - 4	FINISH - 5	RESTRICTED TO		REVISIONS
RECOMMENDED OPERATING TEMPERATURE: 170° C MAX		SCALE 2:1		SHEET 1 OF 1
VOLTAGE RATING: NOT APPLICABLE		REV G1		
WIRE CROSS SECTIONAL AREA RANGE: 96.3-117.0mm² [190,000-231,100] CIR MILS STRANDED		CUSTOMER DRAWING		

FOR ADDITIONAL PRODUCT INFORMATION OR COPIES OF DRAWINGS AND TECHNICAL DOCUMENTS	PRODUCT INFORMATION CENTER 1-800-522-6752
FOR APPLICATION TOOLING INFORMATION	TOOLING ASSISTANCE CENTER 1-800-722-1111
FOR ORDER ENTRY	1-800-526-5142