

DRAWING MADE IN THIRD ANGLE PROJECTION

THIS DRAWING IS UNPUBLISHED. RELEASED FOR PUBLICATION, 19 .
 © COPYRIGHT 19 BY AMP INCORPORATED. ALL INTERNATIONAL RIGHTS RESERVED.

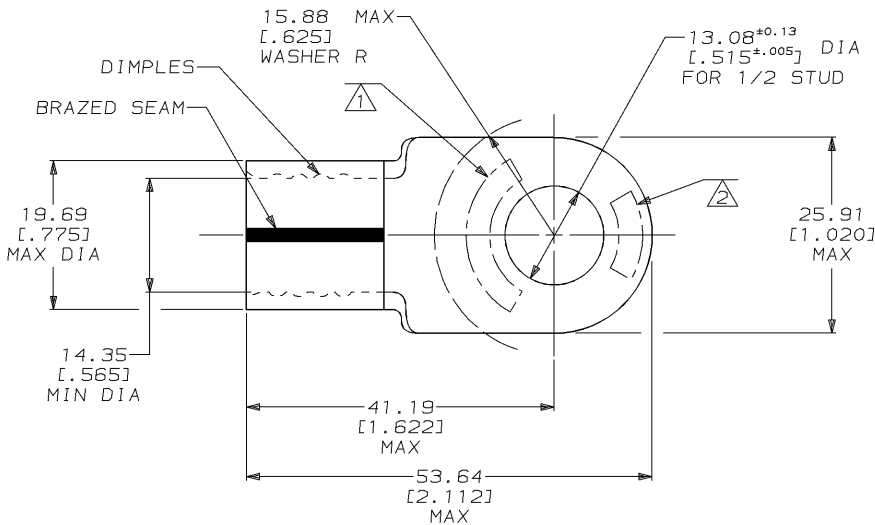
LOC	DIST	P	F	ZONE	LTR	REVISIONS	DATE	APPD
G	14					E REVISED PER 0L20-0073-96	19FEB97	CHK

AMP PART NO	MATERIAL	PKG TYPE	QTY
8-321877-5	M/F 8-321877-0	BOX	5

METRIC
 DIMENSIONS LISTED IN mm [INCHES]

AMP WIRE RANGE	UL E13288 Listed
3/0 AWG SOLID OR STRANDED	3/0 AWG STRANDED
NSI LR7189 Certified	MILITARY P/N AND CLASS
3/0 AWG SOLID OR STRANDED	MS 20659-122 CLASS 2

- ① STAMP AMP 3/0W* APPROX AS SHOWN
- ② STAMP 150 APPROX AS SHOWN
- 3 MATERIAL THK: 2.31±0.08 [.091±.003]



AMP INCORPORATED CUSTOMER SERVICE SYSTEMS		MAX RECOMMENDED OPERATING TEMPERATURE: 170°C MAX	DR 5/25/93 DK SCHRUB	AMP AMP Incorporated Harrisburg, PA 17105-3608
FOR ADDITIONAL PRODUCT INFORMATION OR COPIES OF DRAWINGS AND TECHNICAL DOCUMENTS	PRODUCT INFORMATION CENTER 1-800-522-6752	VOLTAGE RATING: NOT APPLICABLE	CHK 1/27/94 RD HEIM	
FOR APPLICATION	TOOLING ASSISTANCE CENTER 1-800-722-1111	WIRE CROSS SECTIONAL AREA RANGE: 76.3-96.3mm² (150,500-190,000) CIR MILS SOLID OR STRANDED	APPD 1/27/94 RE ROSEB	NAME TERMINAL, RING TONGUE, SOLISTRAND™
FOR ORDER ENTRY	1-800-526-5142	FINISH TIN PLATE 0.00254 [.000100] MIN THK PER MIL-T-10727	APPD 1/27/94 CR RHADS	
THIS DRAWING IS A CONTROLLED DOCUMENT FOR AMP INCORPORATED. IT IS SUBJECT TO CHANGE AND THE CONTROLLING ENGINEERING ORGANIZATION SHOULD BE CONTACTED FOR THE LATEST REVISION.			PRODUCT SPEC -	SIZE B
AMP 1470-15 REV 3-92 19-FEB-97 14:12:25 amp26463 /ws/dept1123/dwg1123/u.solistrand/u.inline			APPLICATION SPEC -	CAGE CODE 00779
			WEIGHT -	DRAWING NO C=321877
				SCALE 2:1
				SHEET 1 OF 1

CUSTOMER DRAWING