

DRAWING MADE IN THIRD ANGLE PROJECTION

THIS DRAWING IS UNPUBLISHED. RELEASED FOR PUBLICATION, 19 .
 © COPYRIGHT 19 BY AMP INCORPORATED. ALL INTERNATIONAL RIGHTS RESERVED.

LOC	DIST	ZONE	LTR	DESCRIPTION	DATE	APPD
G	14	P	F	REVISED PER OL20-0073-96	19FEB97	CHK

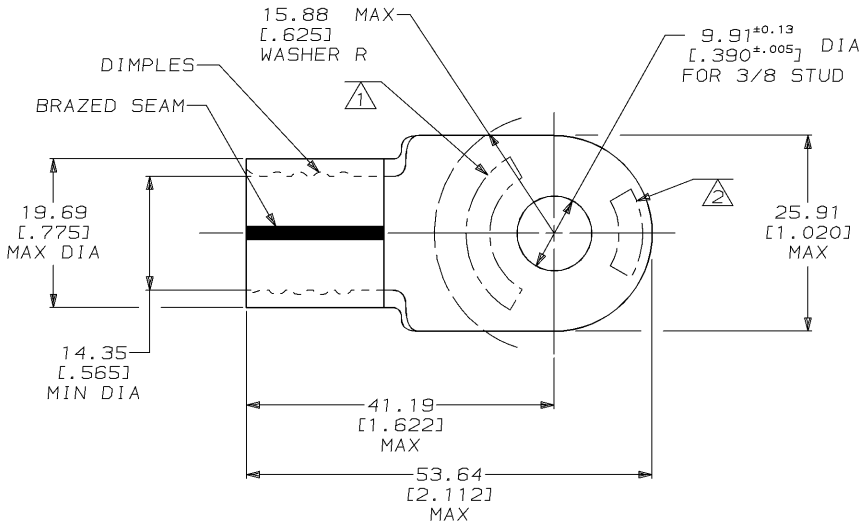
AMP PART NO	MATERIAL	PKG TYPE	QTY
8-321875-5	M/F 8-321875-0	BOX	5
8-321875-6	M/F 8-321875-0	SPL	5

OBSOLETE



AMP WIRE RANGE	E13288 Listed
3/0 AWG SOLID OR STRANDED	3/0 AWG STRANDED
LR7189 Certified	MILITARY P/N AND CLASS
3/0 AWG SOLID OR STRANDED	MS 20659-121 CLASS 2

- ① STAMP AMP 3/0W* APPROX AS SHOWN
- ② STAMP 150 APPROX AS SHOWN
- 3 MATERIAL THK: 2.31±0.08 [.091±.003]



AMP INCORPORATED CUSTOMER SERVICE SYSTEMS		MAX RECOMMENDED OPERATING TEMPERATURE: 170°C MAX		321875 PART NO	
FOR ADDITIONAL PRODUCT INFORMATION OR COPIES OF DRAWINGS AND TECHNICAL DOCUMENTS	PRODUCT INFORMATION CENTER 1-800-522-6752	VOLTAGE RATING: NOT APPLICABLE	DO NOT SCALE PRINT. UNLESS SPECIFIED DIMENSIONS IN INCHES: TOLERANCES ON: 1 PLC DEC ± 0.201.0081 2 PLC DEC ± - ANGLES ± -	DR 5/25/83 DK SCHRUB CHK 1/27/94 RD HEIM APPD 1/27/94 RE ROSEB APPD 1/27/94 JL MECKLEY	AMP AMP Incorporated Harrisburg, PA 17105-3608 NAME TERMINAL, RING TONGUE, SOLISTRAND™
FOR APPLICATION TOOLING INFORMATION	TOOLING ASSISTANCE CENTER 1-800-722-1111	WIRE CROSS SECTIONAL AREA RANGE: 76.3-96.3mm² (150,500-190,000) CIR MILS SOLID OR STRANDED	MATERIAL COPPER PER ASTM B-152 ANNEALED	PRODUCT SPEC -	
FOR ORDER ENTRY	1-800-526-5142	THIS DRAWING IS A CONTROLLED DOCUMENT FOR AMP INCORPORATED. IT IS SUBJECT TO CHANGE AND THE CONTROLLING ENGINEERING ORGANIZATION SHOULD BE CONTACTED FOR THE LATEST REVISION.	FINISH TIN PLATE 0.00254 [.000100] MIN THK PER MIL-T-10727	APPLICATION SPEC -	SIZE B CAGE CODE 00779 DRAWING NO C=321875 SCALE 2:1 SHEET 1 OF 1

AMP 1470-15 REV 3-92
19-FEB-97 12:59:24 amp26463 /ws/dept1123/dwg1123/u.solistrand/u.inline

CUSTOMER DRAWING