

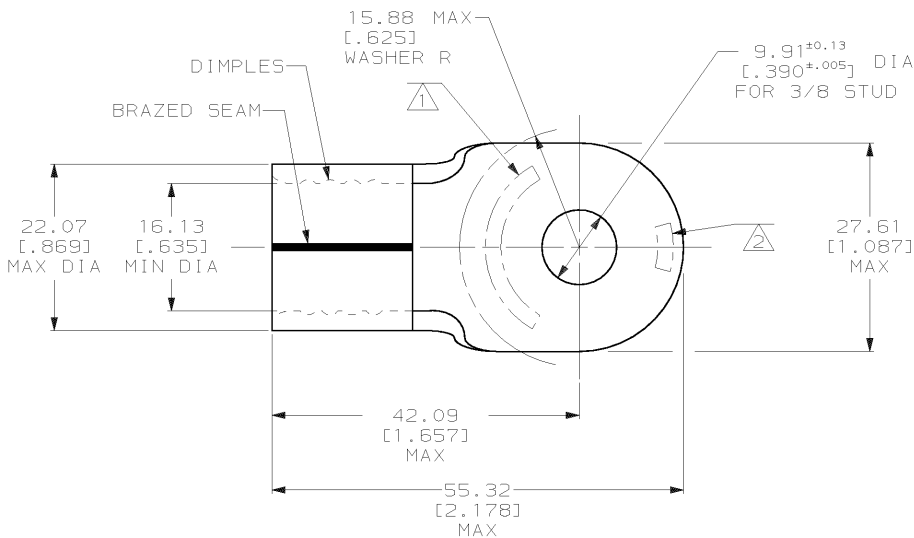
THIS DRAWING IS UNPUBLISHED. RELEASED FOR PUBLICATION, 19 .
 © COPYRIGHT 19 BY AMP INCORPORATED. ALL INTERNATIONAL RIGHTS RESERVED.

| LOC | DIST | P | F | ZONE | LTR | DESCRIPTION | DATE | APPD |
|-----|------|---|---|------|-----|--------------------|---------|------|
| G | 14 | | | | H | REV / 0G10-0049-99 | 06APR99 | MS |

| AMP PART NO | MATERIAL | PKG TYPE | QTY |
|-------------|----------------|----------|-----|
| 8-321878-5 | M/F 8-321878-0 | BOX | 5 |
| 8-321878-6 | M/F 8-321878-0 | SPL | 5 |

OBSELETE

| | |
|------------------------------|-------------------------------|
| AMP WIRE RANGE | UL E13288 Listed |
| 4/0 AWG SOLID OR STRANDED | 4/0 AWG SOLID OR STRANDED |
| LR7189 Certified | MILITARY P/N AND CLASS |
| 4/0 AWG SOLID OR STRANDED | MS 20659-123 CLASS 2 |



- ① STAMP AMP 4/0W* APPROX AS SHOWN
- ② STAMP AMP 200 APPROX AS SHOWN
- 3 MATERIAL THK: 2.59±0.08 [1.02±.003]

| | | | |
|--|--|---|---|
| AMP INCORPORATED CUSTOMER SERVICE SYSTEMS | | MAX RECOMMENDED OPERATING TEMPERATURE: 170°C MAX | 321878 PART NO |
| FOR ADDITIONAL PRODUCT INFORMATION OR COPIES OF DRAWINGS AND TECHNICAL DOCUMENTS | PRODUCT INFORMATION CENTER 1-800-522-6752 | VOLTAGE RATING: NOT APPLICABLE | AMP Incorporated Harrisburg, PA 17105-3608 NAME TERMINAL, RING TONGUE, SOLISTRAND™ |
| FOR APPLICATION TOOLING INFORMATION | TOOLING ASSISTANCE CENTER 1-800-722-1111 | WIRE CROSS SECTIONAL AREA RANGE: 96.3-117.0mm² [190,000-231,100] CIR MILS SOLID OR STRANDED | |
| FOR ORDER ENTRY | 1-800-526-5142 | THIS DRAWING IS A CONTROLLED DOCUMENT FOR AMP INCORPORATED. IT IS SUBJECT TO CHANGE AND THE CONTROLLING ENGINEERING ORGANIZATION SHOULD BE CONTACTED FOR THE LATEST REVISION. | SIZE B CAGE CODE 00779 DRAWING NO C=321878 SCALE 2:1 SHEET 1 OF 1 |