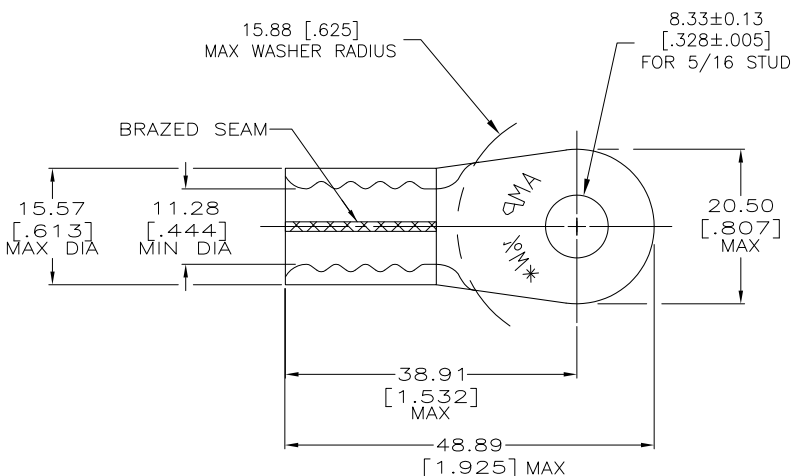


THIS DRAWING IS UNPUBLISHED. RELEASED FOR PUBLICATION
 © COPYRIGHT - By - ALL RIGHTS RESERVED.

| LOC | DIST | REVISIONS | | | | | |
|-----|------|-----------|-----|---------------------------|---------|-----|------|
| G | 14 | P | LTR | DESCRIPTION | DATE | DWN | APVD |
| | | F4 | | REVISED PER ECO-11-004917 | 11MAR11 | RK | HMR |

| | |
|------------------------------|------------------------------|
| AMP WIRE RANGE | E13288 Listed |
| 1/0 AWG SOLID OR STRANDED | 1/0 AWG SOLID OR STRANDED |
| LR7189 Certified | MILITARY P/N AND CLASS |
| 1/0 AWG SOLID OR STRANDED | |



- 1 TIN PL 0.00254[.000100] MIN THK PER ASTM B-545
- 2 NICKEL PLATE 0.00762 [.000300] MIN EXT. THK PER QQ-N-290
- 3 MS20659-151 CLASS 2

| | | | | | |
|---|--|--|--------|---|--|
| 170°C | 25 | SMALL | | COPPER ASTM B-152 1.78 ±0.08 [.070 ±.003] ANNEALED | 8-321867-3 |
| 343°C | 50 | STANDARD | | | 321867-2 |
| 170°C | 50 | STANDARD | | | 321867 |
| MAX TEMP RATING | QTY | PACKAGE TYPE | FINISH | MATERIAL | PART NO. |
| MAX RECOMMENDED OPERATING TEMPERATURE: SEE TABLE | THIS DRAWING IS A CONTROLLED DOCUMENT. | | | DWN DK SCHRUM 8/30/91 CHK RD HEIM 9/30/91 | STE TE Connectivity |
| VOLTAGE RATING: N/A | DIMENSIONS: mm[INCHES] | TOLERANCES UNLESS OTHERWISE SPECIFIED: 0 PLC ± - 1 PLC ± - 2 PLC ± 0.20[.008] 3 PLC ± - 4 PLC ± - ANGLES ± - | | APVD AJ KAUFMAN 9/30/91 PRODUCT SPEC APPLICATION SPEC | |
| CIRCULAR MIL AREA: 42.4-60.6mm² [83,700-118,500] | MATERIAL SEE TABLE | FINISH SEE TABLE | | WEIGHT - | SIZE CAGE CODE DRAWING NO RESTRICTED TO A3 00779 C=321867 - |
| CUSTOMER DRAWING | | | | SCALE 2:1 | SHEET 1 of 1 REV F4 |