

4

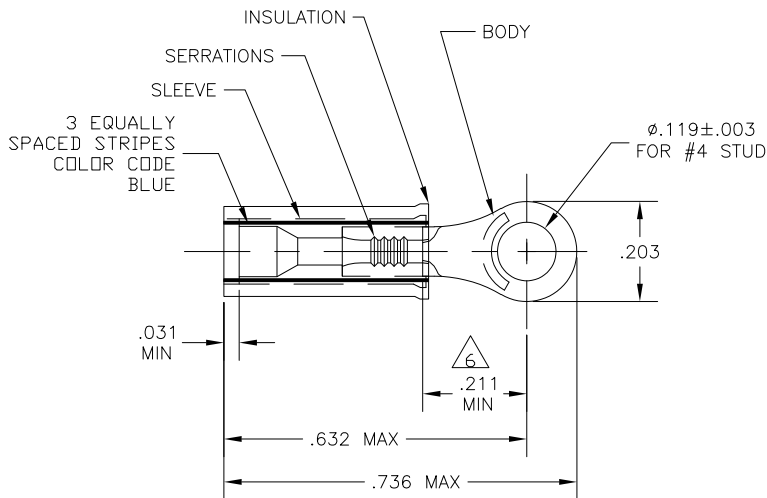
3

2

1

THIS DRAWING IS UNPUBLISHED. RELEASED FOR PUBLICATION  
 © COPYRIGHT - BY TYCO ELECTRONICS CORPORATION. ALL RIGHTS RESERVED.

LOC	DIST	REVISIONS					
		P	LTR	DESCRIPTION	DATE	DWN	APVD
G	14						
		D1		REV PER ECR 10-000950	14JAN10	JR	TM



- 1 MUST BE CRIMPED WITH A 22-18 OR 22-16 PIDG ( RED ) TOOL.
- 2 WIRE INSULATION DIA: .031-.055
- 3 TONGUE MATERIAL THK: .027±.002
- 4 BODY & SLEEVE: TIN .000100 MIN EXT THK PER ASTM B545.
- 5 MATERIAL: BODY & SLEEVE- CU PER ASTM B152 INSULATION - NYLON PER ASTM D4066 COLOR - YELLOW
- 6 APPLIES FROM EDGE OF METAL BBL TO THE CENTER OF STUD HOLE.
- 7 MEETS M7928/1-7, CLASS 1 & 2

1000	LOOSE PIECE	△ 53054
QTY	PACKAGE TYPE	PART NO.

CUSTOMER SERVICE SYSTEMS		MAX RECOMMENDED OPERATING TEMPERATURE:	THIS DRAWING IS A CONTROLLED DOCUMENT.		DWN	14JAN10	Tyco Electronics Corporation	
FOR ADDITIONAL PRODUCT INFORMATION OR COPIES OF DRAWINGS AND TECHNICAL DOCUMENTS	PRODUCT INFORMATION CENTER 1-800-522-6752	150°C MAX	DIMENSIONS:	TOLERANCES UNLESS OTHERWISE SPECIFIED:	JR RUTH	15JAN10	Harrisburg, Pa 17105-3608	
FOR APPLICATION TOOLING INFORMATION	TOOLING ASSISTANCE CENTER 1-800-722-1111	VOLTAGE RATING: 300 V MAX	INCHES	0 PLC ± - 1 PLC ± - 2 PLC ± 0.20[.008] 3 PLC ± - 4 PLC ± - ANGLES ± -	T MICHIELUTTI	15JAN10	NAME	
FOR ORDER ENTRY	1-800-526-5142	CIRCULAR MIL AREA: 0.10-0.26mm <sup>2</sup> [202-509] STRANDED	MATERIAL	FINISH	T MICHIELUTTI		PRODUCT SPEC	
THIS DRAWING IS A CONTROLLED DOCUMENT FOR AMP INCORPORATED. IT IS SUBJECT TO CHANGE AND THE CONTROLLING ENGINEERING ORGANIZATION SHOULD BE CONTACTED FOR THE LATEST REVISION.							APPLICATION SPEC	
							WEIGHT	
							SIZE CAGE CODE DRAWING NO	
							RESTRICTED TO	
							CUSTOMER DRAWING	
							SCALE 4:1 SHEET 1 OF 1 REV D1	

AMP 1470-19 REV 31MAR2000