

4

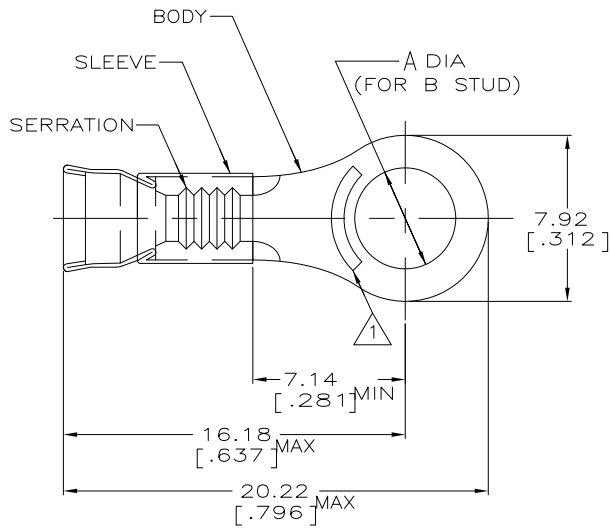
3

2

1

THIS DRAWING IS UNPUBLISHED. RELEASED FOR PUBLICATION  
 © COPYRIGHT - By - ALL RIGHTS RESERVED.

LOC	DIST	REVISIONS			
P	LTR	DESCRIPTION	DATE	DWN	APVD
G	14				
	J2	REVISED PER ECO-11-004820	11MAR11	RK	HMR



△ SEE TABLE FOR STAMPING  
 22-16 TERMINALS ARE STAMPED 22-18 IN  
 ACCORDANCE WITH MILITARY SPEC MIL-T-7928  
 COMMERCIAL WIRE RANGE IS 22-16

2. WIRE INSUL DIA, 2.67-3.56 [.105-.140]

3. TONGUE MATL THK, 0.79±0.05 [.031±.002]

AMP 22-18AL	5.20±0.10 [.205±.004]	M5	ALUMEL	GREEN	500	LOOSE PIECE	1-321897-5
AMP 22-18CH	5.00±0.08 [.197±.003]	#10	CHROMEL	GRAY	500	LOOSE PIECE	1-321897-4
AMP 22-18AL	4.34±0.08 [.171±.003]	#8	ALUMEL	GREEN	500	LOOSE PIECE	1-321897-3
AMP 22-18CH	4.34±0.08 [.171±.003]	#8	CHROMEL	GRAY	500	LOOSE PIECE	1-321897-0
AMP 22-18	4.34±0.08 [.171±.003]	#8	NICKEL PER ASTM B162	ORANGE	1000	LOOSE PIECE	321897
STAMPING	A	B	BODY MATERIAL	SLV COLOR	QTY	PACKAGE TYPE	PART NO

AMP INCORPORATED CUSTOMER SERVICE SYSTEM		MAX RECOMMENDED OPERATING TEMPERATURE: 649° C [1200° F]	THIS DRAWING IS A CONTROLLED DOCUMENT.		DWN L OLMEDA 100CT94					
FOR ADDITIONAL PRODUCT INFORMATION OR COPIES OF DRAWINGS AND TECHNICAL DOCUMENTS	PRODUCT INFORMATION CENTER 1-800-522-6752	VOLTAGE RATING: -	DIMENSIONS: MM(INCHES)	TOLERANCES UNLESS OTHERWISE SPECIFIED:	CHK M ELLIS 100CT94			NAME S BORTNER 100CT94		
FOR APPLICATION TOOLING INFORMATION	TOOLING ASSISTANCE CENTER 1-800-722-1111	CIRCULAR MIL AREA: 0.26mm² - 1.65mm² [509-3260]			APVD S BORTNER 100CT94	PRODUCT SPEC -	TERMINAL, RING TONGUE, STRATOTHERM, DIAMOND GRIP, WIRE SIZE, 22-16 AWG			
FOR ORDER ENTRY	1-800-526-5142	STRANDED WIRE	MATERIAL BODY - SEE TABLE SLEEVE, NI SIL PER ASTM B122	FINISH SLV COLOR, SEE TABLE	APPLICATION SPEC -	WEIGHT -	SIZE A3	CAGE CODE 00779	DRAWING NO C-321897	RESTRICTED TO -
CUSTOMER DRAWING					SCALE 6:1	SHEET 1 of 1	REV J2			

1470-19 (3/11)