

4

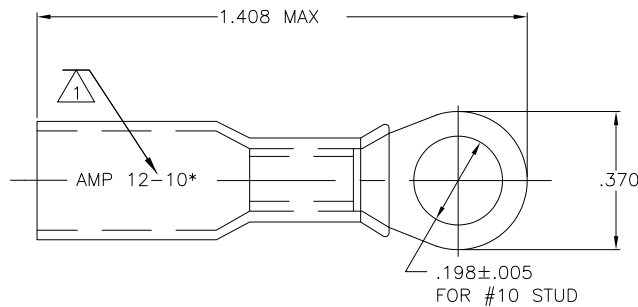
3

2

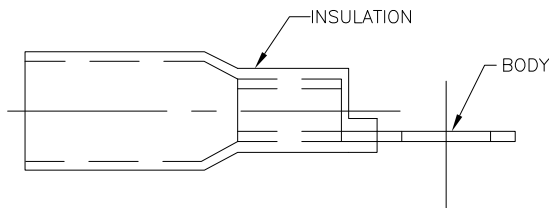
1

THIS DRAWING IS UNPUBLISHED. RELEASED FOR PUBLICATION
 © COPYRIGHT - BY TYCO ELECTRONICS CORPORATION. ALL INTERNATIONAL RIGHTS RESERVED.

LOC	DIST	REVISIONS				
P	LTR	DESCRIPTION	DATE	DWN	APVD	
G	14	E	REVISED PER ECR-09-027352	17FEB10	JR	TM



- 1 STAMP AMP 12-10* APPROX AS SHOWN
- 2 WIRE INSULATION .240 DIA MAX
- 3 TONGUE MATERIAL THK IS .040 ± .002
- 4 PRELIMINARY - NOT FOR PRODUCTION



AMP WIRE RANGE
12-10 AWG STRANDED

1500	ON TAPE, REEL	4 2-55857-1
25	LOOSE PIECE	8-55857-3
500	LOOSE PIECE	55857-1
QTY	PACKAGE TYPE	PART NO

AMP INCORPORATED CUSTOMER SERVICE SYSTEMS		MAX RECOMMENDED OPERATING TEMPERATURE: 125° C MAX	THIS DRAWING IS A CONTROLLED DOCUMENT.		DWN S S GOULDEN 6/93	Tyco Electronics Corporation Harrisburg, PA 17105-3608			
FOR ADDITIONAL PRODUCT INFORMATION OR COPIES OF DRAWINGS AND TECHNICAL DOCUMENTS	PRODUCT INFORMATION CENTER 1-800-522-6752	VOLTAGE RATING: 600V MAX (BUILDING WIRING) 1000V MAX (FIXTURES & SIGNS)	DIMENSIONS: INCHES	TOLERANCES UNLESS OTHERWISE SPECIFIED:	CHK R HERSEY 6/93	NAME B BARE			
FOR APPLICATION TOOLING INFORMATION	TOOLING ASSISTANCE CENTER 1-800-722-1111	CIRCULAR MIL AREA: 2.62-6.64 [5180-13100] STRANDED		0 PLC ± - 1 PLC ± - 2 PLC ± .008 3 PLC ± - 4 PLC ± - ANGLES ± -	APVD B BARE 6/93	PRODUCT SPEC APPLICATION SPEC 408-4022			
FOR ORDER ENTRY	1-800-526-5142	THIS DRAWING IS A CONTROLLED DOCUMENT FOR AMP INCORPORATED. IT IS SUBJECT TO CHANGE AND THE CONTROLLING ENGINEERING ORGANIZATION SHOULD BE CONTACTED FOR THE LATEST REVISION.	MATERIAL BODY: ETP COPPER INSULATION: POLYOLEFIN COLOR: YELLOW	FINISH EDP TIN PLATED	WEIGHT -	SIZE A3	CAGE CODE 00779	DRAWING NO C-55857	RESTRICTED TO -
CUSTOMER DRAWING					SCALE NTS	SHEET 1 OF 1	REV E		

1470-19 (1/08)