

4

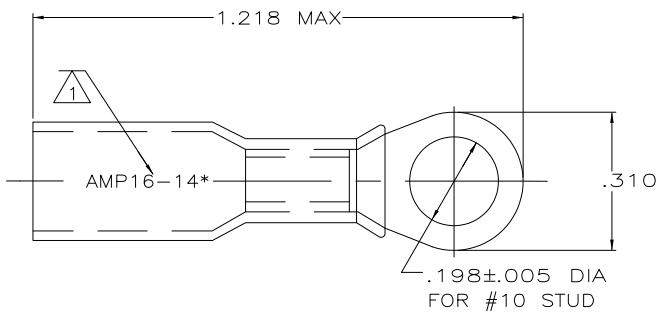
3

2

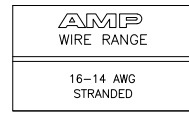
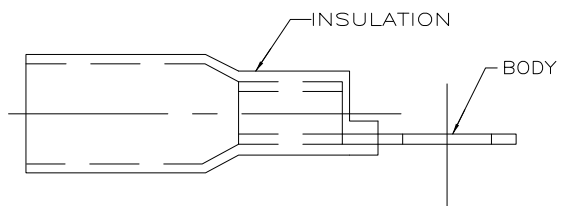
1

THIS DRAWING IS UNPUBLISHED. RELEASED FOR PUBLICATION
 © COPYRIGHT - BY TYCO ELECTRONICS CORPORATION. ALL INTERNATIONAL RIGHTS RESERVED.

LOC	DIST	REVISIONS				
P	LTR	DESCRIPTION	DATE	DWN	APVD	
G	14	E	REVISED PER ECR-09-027352	17FEB10	JR	TM



- 1 STAMP AMP 16-14* APPROX AS SHOWN
- 2 WIRE INSULATION DIA .190 MAX
- 3 TONGUE MATERIAL THK .032±.002
- 4 PRELIMINARY - NOT FOR PRODUCTION



QTY	PACKAGE TYPE	PART NO
2500	ON TAPE, REEL	4 2-55852-1
50	LOOSE PIECE	8-55852-2
1000	LOOSE PIECE	55852-1

AMP INCORPORATED CUSTOMER SERVICE SYSTEMS		MAX RECOMMENDED OPERATING TEMPERATURE: 125° C MAX	THIS DRAWING IS A CONTROLLED DOCUMENT.		DWN S S GOULDEN 6/93 CHK R HERSEY 6/93 APVD B BARE 6/93	Tyco Electronics Tyco Electronics Corporation Harrisburg, PA 17105-3608	
FOR ADDITIONAL PRODUCT INFORMATION OR COPIES OF DRAWINGS AND TECHNICAL DOCUMENTS PRODUCT INFORMATION CENTER 1-800-522-6752	FOR APPLICATION TOOLING ASSISTANCE CENTER TOOLING INFORMATION 1-800-722-1111	VOLTAGE RATING: 600V MAX (BUILDING WIRING) 1000V MAX (FIXTURES & SIGNS)	DIMENSIONS: INCHES	TOLERANCES UNLESS OTHERWISE SPECIFIED: 0 PLC ± - 1 PLC ± - 2 PLC ± .008 3 PLC ± - 4 PLC ± - ANGLES ± -	PRODUCT SPEC APPLICATION SPEC 408-4022	TERMINAL, RING TONGUE, SEALABLE HEAT SHRINKABLE	
FOR ORDER ENTRY 1-800-526-5142	THIS DRAWING IS A CONTROLLED DOCUMENT FOR AMP INCORPORATED. IT IS SUBJECT TO CHANGE AND THE CONTROLLING ENGINEERING ORGANIZATION SHOULD BE CONTACTED FOR THE LATEST REVISION.	CIRCULAR MIL AREA: 1.04-2.62mm ² [2050-5180] STRANDED	MATERIAL: BODY: ETP COPPER INSULATION: POLYOLEFIN COLOR: BLUE	FINISH: EDP TIN PLATED	WEIGHT CUSTOMER DRAWING	SIZE A3 CAGE CODE 00779 DRAWING NO C-55852	RESTRICTED TO SCALE NTS SHEET 1 OF 1 REV E