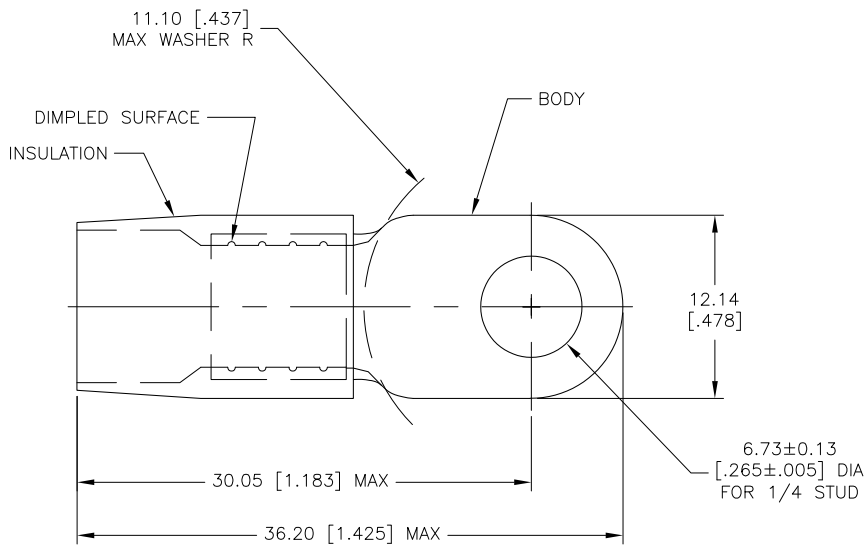


THIS DRAWING IS UNPUBLISHED. RELEASED FOR PUBLICATION  
 © COPYRIGHT - By - ALL RIGHTS RESERVED.

LOC	DIST	REVISIONS			
P	LTR	DESCRIPTION	DATE	DWN	APVD
G	14				
	F2	REVISED PER ECO-11-004820	11MAR11	RK	HMR



**AMP**  
WIRE RANGE

8 AWG  
STRANDED

- 1 TONGUE MATERIAL THK 1.02±0.08 [.040±.003]
- 2 FOR 6.50 [.256] MAX WIRE INSULATION DIA
- 3 BODY - COPPER PER ASTM B-152  
INSULATION - NYLON, (MIL-M-20693) TYPE 1
- 4 BODY - TIN PLATE PER ASTM B-545  
INSULATION - COLOR-RED

MS25036-116 CLASS 2	-	LOOSE PC	324082
MILITARY P/N AND CLASS	QTY	PACKAGE TYPE	PART NUMBER
DWN JR RUTH 6-21-93		TE Connectivity TERMINAL, RING TONGUE, TERMINYL WIRE SIZE: 8 AWG	
CHK R. HERSEY 6-21-93			
APD M ELLIS 6-21-93			
NAME			
PRODUCT SPEC		SIZE	CAGE CODE
APPLICATION SPEC		A3	00779
WEIGHT		DRAWING NO	C=324082
CUSTOMER DRAWING		RESTRICTED TO	-
SCALE 4:1		SHEET 1 of 1	REV F2

MAX RECOMMENDED OPERATING TEMPERATURE: 105°C [221°F]	THIS DRAWING IS A CONTROLLED DOCUMENT.	
VOLTAGE RATING: N/A	DIMENSIONS: mm [INCHES]	TOLERANCES UNLESS OTHERWISE SPECIFIED:
CIRCULAR MIL AREA: 6.64-10.5mm² [13,100-20,800] STRANDED	 0 PLC ± - 1 PLC ± - 2 PLC ± 0.20[.008] 3 PLC ± - 4 PLC ± - ANGLES ± -	FINISH 4
	MATERIAL 3	