

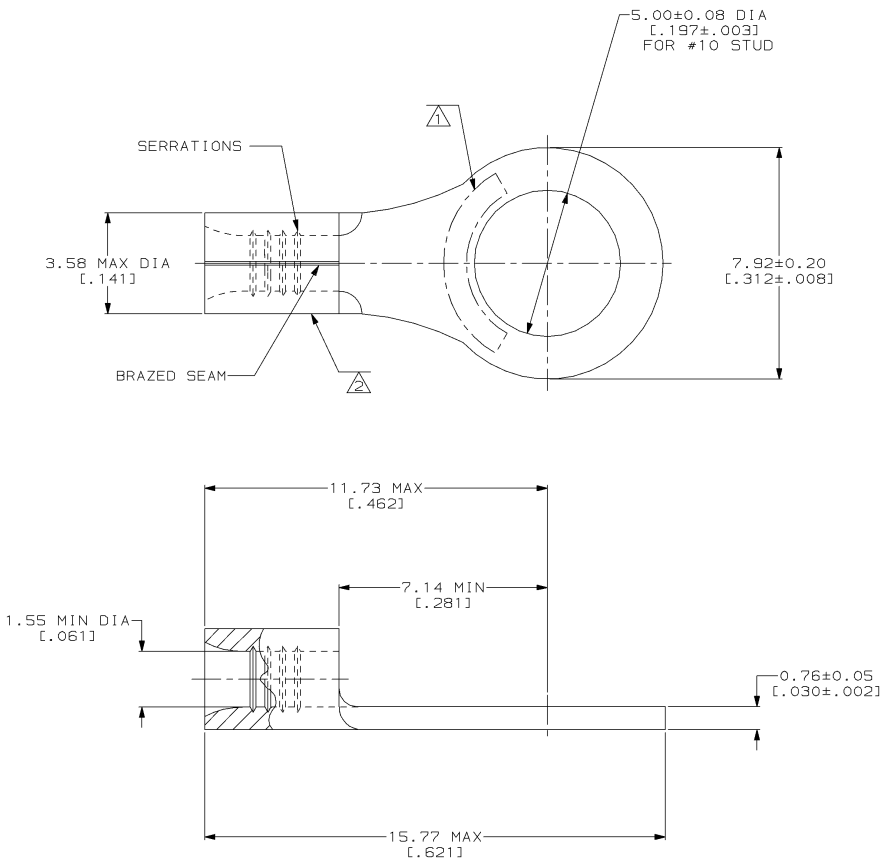
4 3 2 1  
 DRAWING MADE IN THIRD ANGLE PROJECTION  
 THIS DRAWING IS UNPUBLISHED. RELEASED FOR PUBLICATION  
 © COPYRIGHT 19 BY AMP INCORPORATED. ALL INTERNATIONAL RIGHTS RESERVED.

LOC	DIST	P	F	ZONE	LTR	REVISIONS	DATE	APPD
G	14					F REV & REDRAWN PER 0720-0061-93	4-15-93	APD

**METRIC**  
 DIMENSIONS LISTED IN mm [ INCHES ]

<b>AMP</b> WIRE RANGE	E13288 Listed
22-16 AWG SOLID OR STRANDED	NOT APPLICABLE
LR7189 Certified	MILITARY P/N AND CLASS
NOT APPLICABLE	NOT APPLICABLE

- ⚠ STAMP AMP 22-18 APPROX AS SHOWN  
22-16 TERMINALS ARE STAMPED 22-18 IN ACCORDANCE WITH MILITARY SPECIFICATION MIL-T-7928; COMMERCIAL WIRE RANGE IS 22-16
- ⚠ WIRE BARREL COLOR CODED ORANGE TO DENOTE NICKEL MATERIAL



**AMP INCORPORATED**  
**CUSTOMER SERVICE SYSTEMS**

FOR ADDITIONAL PRODUCT INFORMATION OR COPIES OF DRAWINGS AND TECHNICAL DOCUMENTS	PRODUCT INFORMATION CENTER 1-800-522-6752
FOR APPLICATION TOOLING INFORMATION	TOOLING ASSISTANCE CENTER 1-800-722-1111
FOR ORDER ENTRY	1-800-526-5142

MAX RECOMMENDED OPERATING TEMPERATURE:  
649°C MAX

VOLTAGE RATING:  
NOT APPLICABLE

WIRE CROSS SECTIONAL AREA RANGE:  
0.26-1.65mm<sup>2</sup> (509-3,260) CIR MILS  
SOLID OR STRANDED

THIS DRAWING IS A CONTROLLED DOCUMENT FOR AMP INCORPORATED. IT IS SUBJECT TO CHANGE AND THE CONTROLLING ENGINEERING ORGANIZATION SHOULD BE CONTACTED FOR THE LATEST REVISION.

DO NOT SCALE PRINT.  
 UNLESS SPECIFIED DIMENSIONS IN mm (INCHES)  
 TOLERANCES ON:  
 2 PLC DEC ± -  
 3 PLC DEC ± -  
 ANGLES ± -

MATERIAL  
 NICKEL PER ASTM B-162 ANNEALED

FINISH  
 -

DR 4-15-93  
TA BRINKMAN

CHK 4-15-93  
DA PATTERSON

APPD 4-15-93  
DE MILLER

APPD 4-15-93  
JL MECKLEY

PRODUCT SPEC  
 -

APPLICATION SPEC  
 -

WEIGHT  
 -

5000	ON TAPE	2-321896-4
----	LOOSE PIECE	321896
QUANTITY	PACKAGE TYPE	PART NO
<b>AMP</b> AMP Incorporated Harrisburg, PA 17105-3608		
NAME <b>TERMINAL, RING TONGUE, HIGH TEMPERATURE, STRATO-THERM™</b>		
SIZE	CAGE CODE	DRAWING NO
00779	00779	321896
SCALE	10:1	SHEET 1 OF 1

AMP 1471-6 REV 3-92  
 02\_AUG\_1993 09:33:47 AMP26463 <U5128A>DEPT1123>DWG1123>U,STRATO-THERM>U,TERMINALS

CUSTOMER DRAWING