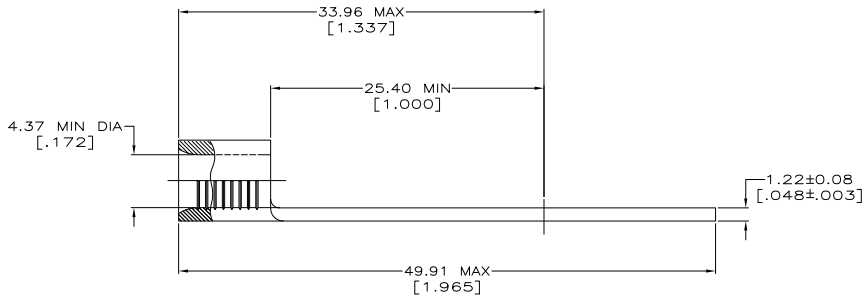
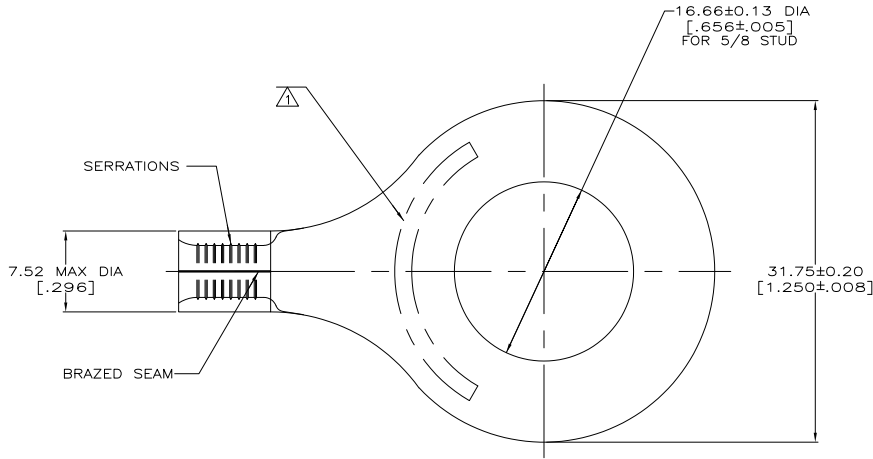


THIS DRAWING IS UNPUBLISHED. RELEASED FOR PUBLICATION. ALL RIGHTS RESERVED.

LOC	QTY	REVISIONS	DAP	DATE	DRN	APPD
G	14					
		D2	REVISED PER ECO-11-005027	11MAR11	RK	HMR



WIRE RANGE	Listed FILE E13288	LR7189 Certified
8 AWG SOLID OR STRANDED	8 AWG STRANDED	8 AWG SOLID OR STRANDED

- STAMP AMP 8* APPROX AS SHOWN
- COPPER PER ASTM B-152, ANNEALED
- TIN PLATE 0.00254 [0.000100] MIN THK PER ASTM B-545

35665
PART NO.

MAX RECOMMENDED OPERATING TEMPERATURE: 170°C	THIS DRAWING IS A CONTROLLED DOCUMENT.		DA BRINKMAN 3-24-93	TE Connectivity
VOLTAGE RATING: N/A	DIMENSIONS: mm(INCHES)	TOLERANCES UNLESS OTHERWISE SPECIFIED:	DA PATTERSON 3-24-93	
CIRCULAR MIL AREA: 6.64-10.5mm² [13,100-20,800] SOLID OR STRANDED		0 P.L.C. ± .005 1 P.L.C. ± .005 2 P.L.C. ± .005 3 P.L.C. ± .005 4 P.L.C. ± .005 ANGLES ± .5°	APD MECKLEY 3-24-93	PRODUCT SPEC
	MATERIAL	FINISH	APPLICATION SPEC	TERMINAL, RING TONGUE, SOLISTRAND
			WEIGHT	SIZE A2
			CUSTOMER DRAWING	CAGE CODE 00779
				DRAWING NO. 35665
				RESTRICTED TO
				SCALE 4:1
				SHEET 1 of 1
				REV D2