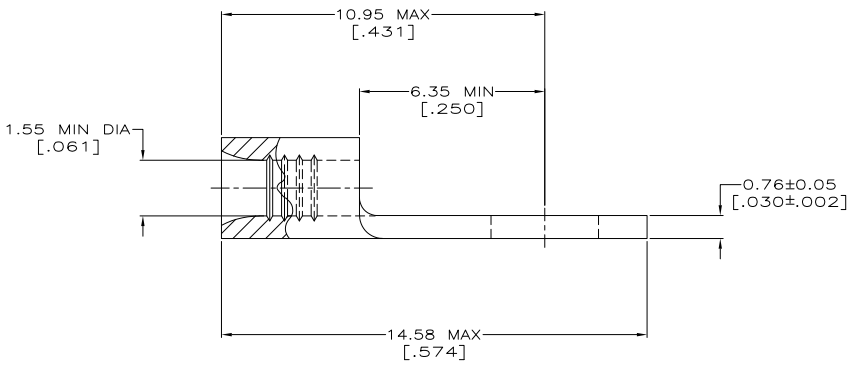
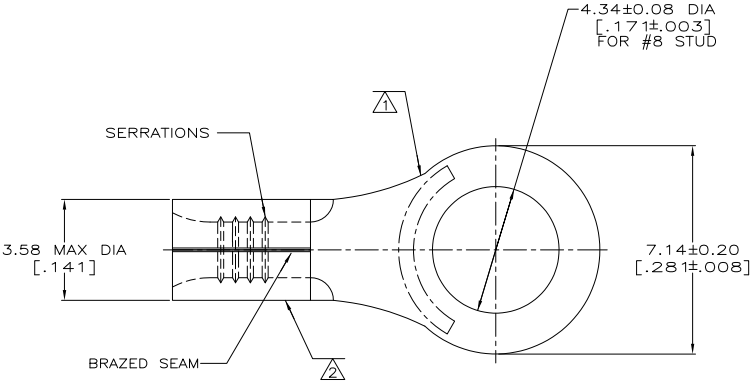


DRAWING MADE IN THIRD ANGLE PROJECTION  
 THIS DRAWING IS UNPUBLISHED. RELEASED FOR PUBLICATION  
 © COPYRIGHT 19 BY AMP INCORPORATED. ALL INTERNATIONAL RIGHTS RESERVED.

LOC	DIST	P	F	ZONE	LTR	DESCRIPTION	DATE	APPD
G	14				F	REV,RDRW,& SM PKG PER 0720-0061-93	4-15-93	DAP
					F1	REVISED PER ECO-09-020932	04SEP09	KK/AEG

**METRIC**  
 DIMENSIONS LISTED IN mm [ INCHES ]

<b>AMP</b> WIRE RANGE	E13288 Listed
22-16 AWG SOLID OR STRANDED	NOT APPLICABLE
<b>LR7189</b> Certified	MILITARY P/N AND CLASS
NOT APPLICABLE	NOT APPLICABLE



- ① STAMP AMP 22-18 APPROX AS SHOWN  
22-16 TERMINALS ARE STAMPED 22-18 IN ACCORDANCE WITH MILITARY SPECIFICATION MIL-T-7928; COMMERCIAL WIRE RANGE IS 22-16
- ② WIRE BARREL COLOR CODED ORANGE TO DENOTE NICKEL MATERIAL
- ③ TAPE MOUNTED PART NUMBER PRODUCED ONLY BY FOREIGN SUBSIDIARIES OF AMP INC
- ④ OBSOLETE PARTS: OBSOLETE CIS STREAMLINING PER D.RENAUD/D.SINISI

100	LOOSE PIECE, BOX	8-321890-1
④ OBSOLETE	---	ON TAPE
---	LOOSE PIECE	③ 2-321890-2
---	---	321890
QUANTITY	PACKAGING TYPE	PART NO

**AMP INCORPORATED**  
**CUSTOMER SERVICE SYSTEMS**

FOR ADDITIONAL PRODUCT INFORMATION OR COPIES OF DRAWINGS AND TECHNICAL DOCUMENTS

PRODUCT INFORMATION CENTER  
1-800-522-6752

FOR APPLICATION TOOLING INFORMATION

TOOLING ASSISTANCE CENTER  
1-800-722-1111

FOR ORDER ENTRY

1-800-526-5142

MAX RECOMMENDED OPERATING TEMPERATURE:  
649° C MAX

VOLTAGE RATING:  
NOT APPLICABLE

WIRE CROSS SECTIONAL AREA RANGE:  
0.26-1.65mm<sup>2</sup> [509-3,260] CIR MILS  
SOLID OR STRANDED

THIS DRAWING IS A CONTROLLED DOCUMENT FOR AMP INCORPORATED. IT IS SUBJECT TO CHANGE AND THE CONTROLLING ENGINEERING ORGANIZATION SHOULD BE CONTACTED FOR THE LATEST REVISION.

DO NOT SCALE PRINT. UNLESS SPECIFIED DIMENSIONS IN mm [INCHES]

TOLERANCES ON :  
 2 PLC DEC ± -  
 3 PLC DEC ± -  
 ANGLES ± -

MATERIAL  
NICKEL PER ASTM B-162 ANNEALED

FINISH  
-

DR 4-15-93  
TA BRINKMAN

CHK 4-15-93  
DA PATTERSON

APPD 4-15-93  
DE MILLER

APPD 4-15-93  
JL MECKLEY

PRODUCT SPEC  
-

APPLICATION SPEC  
-

WEIGHT  
-

**AMP** AMP Incorporated  
 Harrisburg, PA 17105-3608

NAME  
**TERMINAL, RING TONGUE,  
 HIGH TEMPERATURE,  
 STRATO-THERM™**

SIZE **C** CAGE CODE **00779** DRAWING NO **C-321890**

SCALE 10:1 SHEET 10F 1

AMP 1471-6 REV 3-92 Transmetal 021119,095734 (VYMM003688MS) from Computrols, Inc., Medium Revision 12.2.97

CUSTOMER DRAWING