

4

3

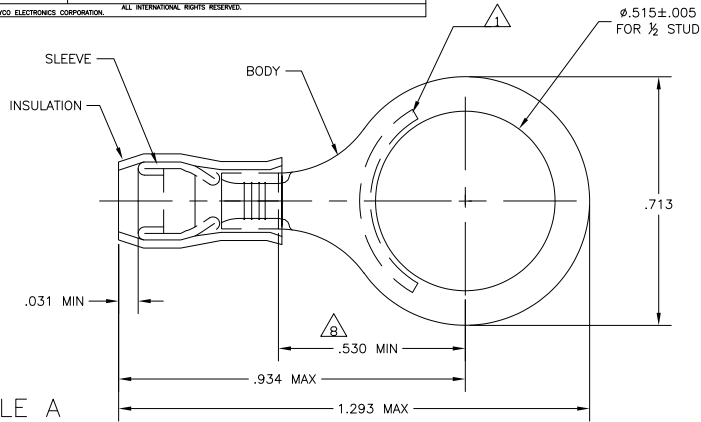
2

1

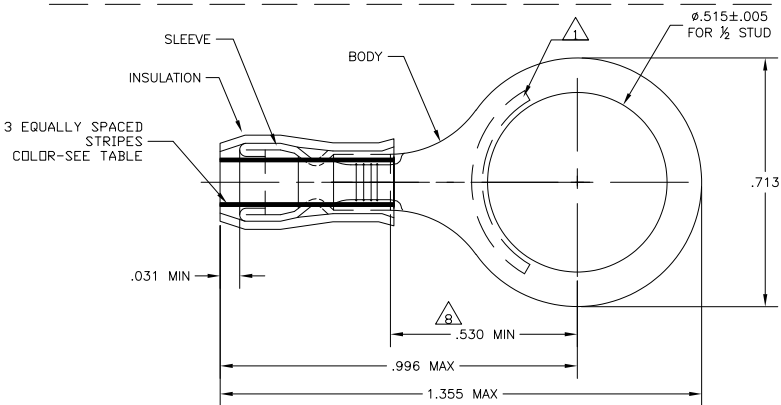
THIS DRAWING IS UNPUBLISHED.
 RELEASED FOR PUBLICATION
 BY TYCO ELECTRONICS CORPORATION. ALL INTERNATIONAL RIGHTS RESERVED.

LOC	DIST	REV	DESCRIPTION	DATE	BY	APP'D
G	14	P	LR			
		C2	REV PER EDR 10-000692	13JAN10	JR	TM

AMP WIRE RANGE	E13288 Listed	LR7189 Certified
16-14 AWG SOLID OR STRANDED	16-14 AWG SOLID OR STRANDED	16-14 AWG SOLID OR STRANDED



STYLE A

STYLE B
INSULATION RESTRICTING

- 1 STAMP "AMP - SEE TABLE" APPROX AS SHOWN
- 2 WIRE INSULATION DIA: SEE TABLE
- 3 TONGUE MATERIAL THK: .031 ± .002
- 4 BODY: TIN PLATE .000100 MIN EXT THK PER ASTM B545
- 5 SLEEVE: TIN PLATE .000100 MIN EXT THK PER ASTM B545
- 6 BODY & SLEEVE - CU PER ASTM B152 INSULATION - NYLON PER ASTM D4066 COLOR - BLUE
- 7 APPLIES FROM EDGE OF METAL WIRE BARREL TO CENTER OF STUD HOLE.
- 8 MEETS MS25036-155, CLASS 1 & 2
- 9 MEETS M7928/1-46, CLASS 1 & 2
- 10 MEETS M7928/1-55, CLASS 1 & 2

500	LOOSE PIECE	14	.078-.130	14	GREEN	B	4	5	10	2-328976-2
500	LOOSE PIECE	16	.063-.130	16	BLUE	B	4	5	10	2-328976-1
500	LOOSE PIECE	16-14	.105-.150	16-14	--	A	4	5	10	328976
QTY	PACKAGE TYPE	STAMPING	WIRE INSUL DIA	WIRE SIZE	STRIPES COLOR	STYLE	BODY FINISH	SLEEVE FINISH		PART NO

CUSTOMER SERVICE SYSTEMS		MAX RECOMMENDED OPERATING TEMPERATURE: 105°C MAX		THIS DRAWING IS A CONTROLLED DOCUMENT.		J.R. RUTH 13JAN10		Tyco Electronics Corporation	
FOR ADDITIONAL PRODUCT INFORMATION OR COPIES OF DRAWINGS AND TECHNICAL DOCUMENTS		PRODUCT INFORMATION CENTER 1-800-522-6752		VOLTAGE RATING: 300 VOLT MAX		OK T MICHELJUTTI 13JAN10		Harrisburg, PA 17105-3608	
FOR APPLICATION		TOOLING ASSISTANCE CENTER 1-800-722-1111		CIRCULAR MIL AREA: 1.04-2.62mm² (2,050-5,180) STRANDED OR SOLID		APD T MICHELJUTTI 13JAN10		TERMINAL, RING TONGUE, PIDG	
TOOLING INFORMATION		1-800-722-1111		DIMENSIONS: INCHES		PRODUCT SPEC		WIRE SIZE: 16-14 AWG	
FOR ORDER ENTRY		1-800-526-5142		MATERIAL		APPLICATION SPEC		RESTRICTED TO	
				FINISH		SIZE		CASE CODE	
				SEE TABLE		A2		00779	
						CUSTOMER DRAWING		SCALE: 5:1 SHEET 1 of 1 REV G2	

1471-9 (1/08)

328976

B

A