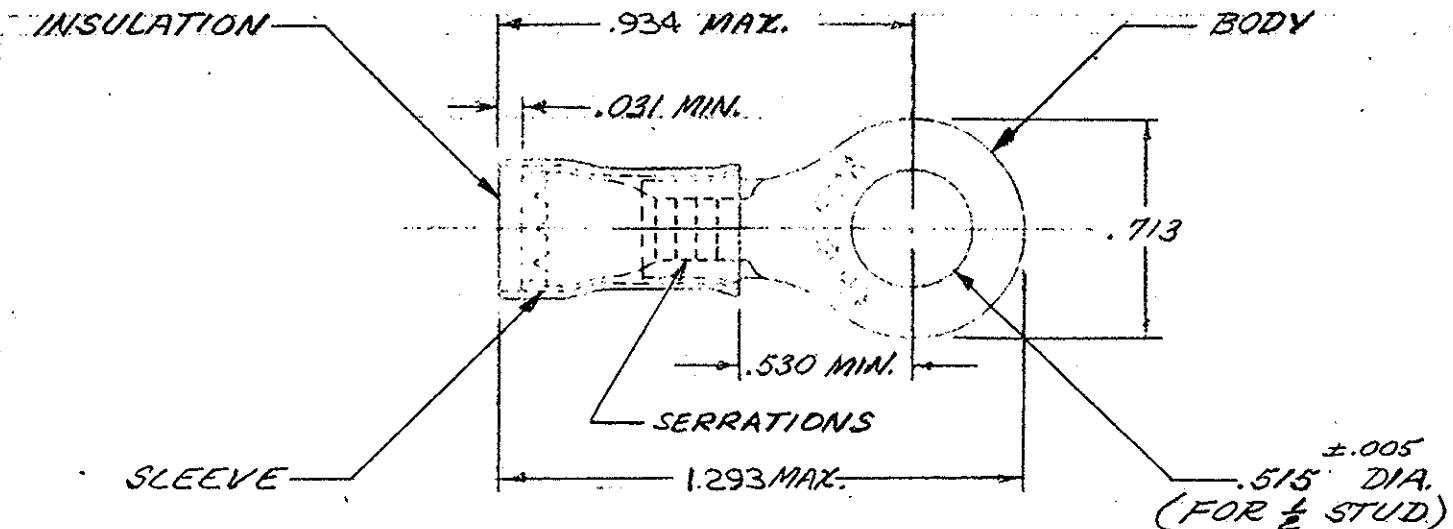


© 1961 BY AMP INCORPORATED. ALL RIGHTS RESERVED. AMP PRODUCTS COVERED BY PATENTS AND/OR PATENTS PENDING.

REVISIONS

LTR	DESCRIPTION	DATE	APPROVED
A	REDRAWN & REV PER ECN P-5857	11-13-68	RHW
B	REV PER ECN P-5876 & G-1062	1-28-69	RHW
C	REVISED B-630	4-9-70	FEY
D	REV/0720-0066-93	4-16-93	TQ/ml
E	REV/0610-0120-98	01 SEP 98	ME/JT
F	REV PER 063A-0286-01	15 MAY 01	JR/TM



FOR .115 TO .170 WIRE INSULATION DIA.
TONGUE MATERIAL THICKNESS .031 ±.002

100	LOOSE PC, BOX	8-328849-1	BODY: COPPER (ASTM B152) SLEEVE TIN PL. (ASTM B545)
1000	Loose PC	328849	INSULATION: NYLON (MIL-M-20693) TYPE I COLOR: BLUE


QTY	PACKAGE TYPE	PART NO.	MATERIAL & FINISH
-----	--------------	----------	-------------------

UNLESS OTHERWISE SPECIFIED DIMENSIONS ARE IN INCHES. TOLERANCES ON: DECIMALS ±.008 ANGLES ± 5°

MATERIAL

SEE TABLE

CONTRACT NO.
DR: J. SMITH 10-28-68
CHK: RHW 11-13-68
APPD: Swabel 4-4-68
REL: Jm E... 11-14-68
DSGN APPD
OTHER APPD



AMP INCORPORATED
HARRISBURG, PENNSYLVANIA

WIRE TERMINAL
PIDG - RING TONGUE
WIRE SIZE 16-14

SIZE	CODE IDENT NO.	NUMBER
A	00779	328849

SCALE: NTS SHEET 1 OF 1