

4

3

2

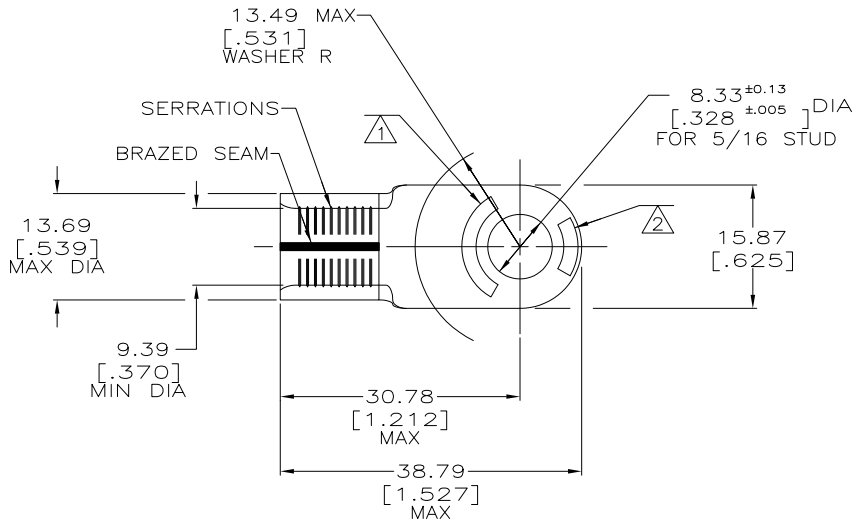
1

THIS DRAWING IS UNPUBLISHED. RELEASED FOR PUBLICATION
 © COPYRIGHT - By - ALL RIGHTS RESERVED.

LOC	DIST	REVISIONS			
P	LTR	DESCRIPTION	DATE	DWN	APVD
G	14	J2	REVISED PER ECO-11-004820	11MAR11	RK HMR

AMP PART NUMBER	PACKAGE TYPE	QTY	
8-322870-3	LOOSE PIECE, BOX	25	△4
8-322870-5	LOOSE PIECE, BAG	10	OBSOLETE △4

AMP WIRE RANGE	Listed FILE E13288	LR7189 Certified	MILITARY P/N AND CLASS
2 AWG SOLID OR STRANDED	2 AWG STRANDED	2 AWG SOLID OR STRANDED	MS 20659-147 CLASS 2 △6



- △1 STAMP AMP 2W* APPROX AS SHOWN
- △2 STAMP 60-75 APPROX AS SHOWN
- 3 MATERIAL THK: 1.78 ±0.08 [.070 ±0.003]
- △4 TIN PL 0.00254 [.000100] MIN THK PER MIL-T-10727
- △5 NICKEL PL 0.00762 [.000300] MIN EXT THK PER QQ-N-290
- △7 GOLD PL 0.00127 [.000050] MIN THK PER MIL-G-45204 OVER NICKEL PL 0.00076 [.000030] MIN THK PER QQ-N-290
- △8 OBSOLETE PARTS: OBSOLETE CIS STREAMLINING PER D.RENAUD/D.SINISI

△8 OBSOLETE	343° C	△5	2-322870-2
	260° C	△7	2-322870-1
	170° C	△4	322870 △6
	MAX TEMP RATING	FINISH	PART NO.

AMP INCORPORATED CUSTOMER SERVICE SYSTEMS		MAX RECOMMENDED OPERATING TEMPERATURE: SEE TABLE	THIS DRAWING IS A CONTROLLED DOCUMENT.		DWN 5/25/93 DK SCHRUM	STE TE Connectivity	
FOR ADDITIONAL PRODUCT INFORMATION OR COPIES OF DRAWINGS AND TECHNICAL DOCUMENTS	PRODUCT INFORMATION CENTER 1-800-522-6752	VOLTAGE RATING: N/A	DIMENSIONS: INCHES	TOLERANCES UNLESS OTHERWISE SPECIFIED: 0 PLC ± - 1 PLC ± - 2 PLC ± 0.20 [.008] 3 PLC ± - 4 PLC ± - ANGLES ± -	CHK 1/27/94 RD HEIM	NAME	
FOR APPLICATION TOOLING INFORMATION	TOOLING ASSISTANCE CENTER 1-800-722-1111	CIRCULAR MIL AREA: 26.7-42.4mm² [52,600-83,700] SOLID OR STRANDED			APVD 1/27/94 JL MECKLEY	TERMINAL, RING TONGUE, SOLISTRAND	
FOR ORDER ENTRY	1-800-526-5142		MATERIAL COPPER ASTM B-152 ANNEALED	FINISH SEE TABLE	PRODUCT SPEC	SIZE A3	CAGE CODE 00779
					APPLICATION SPEC	DRAWING NO C-322870	RESTRICTED TO
					WEIGHT		
					CUSTOMER DRAWING	SCALE 2:1	SHEET 1 OF 1
							REV J2

1470-19 (3/11)