

4

3

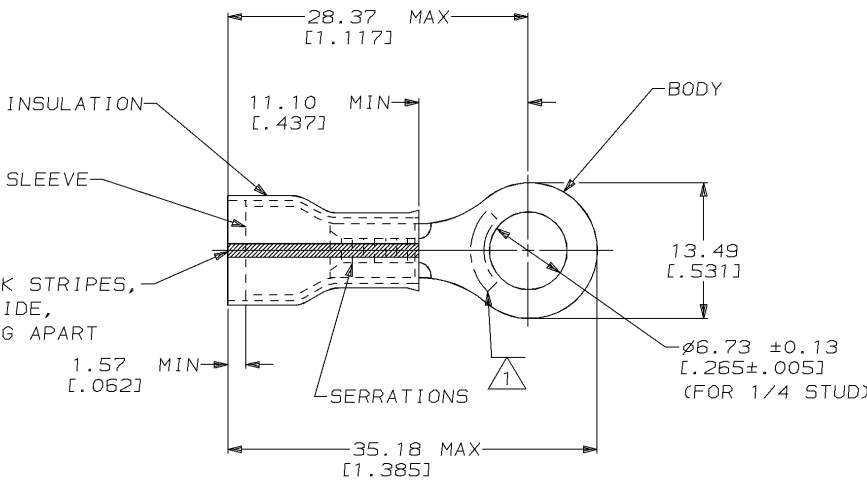
2

1

THIS DRAWING IS UNPUBLISHED. RELEASED FOR PUBLICATION
 © COPYRIGHT 19 BY AMP INCORPORATED. ALL RIGHTS RESERVED.

LOC	DIST	REVISIONS			
P	LTR	DESCRIPTION	DATE	DWN	APVD
G	14	REV & REDRAW / 0720-0603-95	100CT95	MLE	NB

AMP WIRE RANGE	E13288	LR7189 Certified
16-14 AWG SOLID OR STRANDED	16-14 AWG SOLID OR STRANDED	16-14 AWG SOLID OR STRANDED



- 1. STAMP AMP 16-14 HD* APPROX AS SHOWN
- 2. WIRE INSULATION DIA, 4.32-7.62 [1.170-.300]
- 3. TONGUE MATERIAL THK, 1.22±0.05 [1.048±.002]

---	-----	-----
50	LOOSE PIECE, BOX	8-35362-2
500	LOOSE PIECE	35362
QTY	PACKAGE TYPE	PART NO

AMP INCORPORATED CUSTOMER SERVICE SYSTEM		MAX RECOMMENDED OPERATING TEMPERATURE: 105° C [221°F]	THIS DRAWING IS A CONTROLLED DOCUMENT FOR AMP INCORPORATED. IT IS SUBJECT TO CHANGE AND THE CONTROLLING ENGINEERING ORGANIZATION SHOULD BE CONTACTED FOR THE LATEST REVISION.		DWN M ELLIS 17APR85	AMP Incorporated Harrisburg, PA 17105-3608	
FOR ADDITIONAL PRODUCT INFORMATION OR COPIES OF DRAWINGS AND TECHNICAL DOCUMENTS	PRODUCT INFORMATION CENTER 1-800-522-6752	VOLTAGE RATING: 300V MAX	DIMENSIONS: mm [in]	TOLERANCES UNLESS OTHERWISE SPECIFIED: 0 PLC ±- 1 PLC ±- 2 PLC ±0.20 [1.008] 3 PLC ±- 4 PLC ±- ANGLES ±-	CHK C PRESNELL 17APR85		NAME N BIRCH
FOR APPLICATION TOOLING INFORMATION	TOOLING ASSISTANCE CENTER 1-800-722-1111	CIRCULAR MIL AREA: 1.04mm²-2.63mm² [2050-5180]		MATERIAL BODY, SLV, COPPER PER ASTM B 152 INSUL., PVC, COLOR, YELLOW	FINISH BODY & SLV, TIN PLATE PER MIL-T-10727	PRODUCT SPEC UL 486A	TERMINAL, RING TONGUE, PIDG™, WIRE SIZE, 16-14HD AWG
FOR ORDER ENTRY	1-800-526-5142					APPLICATION SPEC	SIZE A3
AMP 1470-19 REV 09MAY84						WEIGHT -	CAGE CODE 00779
_24 AUG 1985 06:50:08 AMP10390 <UJ128A>DEPT1132-U, DMG1132-U, RBY-U, PID6-U, CUST						CUSTOMER DRAWING	DRAWING NO C-35362
							SCALE 4:1
							SHEET 1 OF 1
							REV 6