

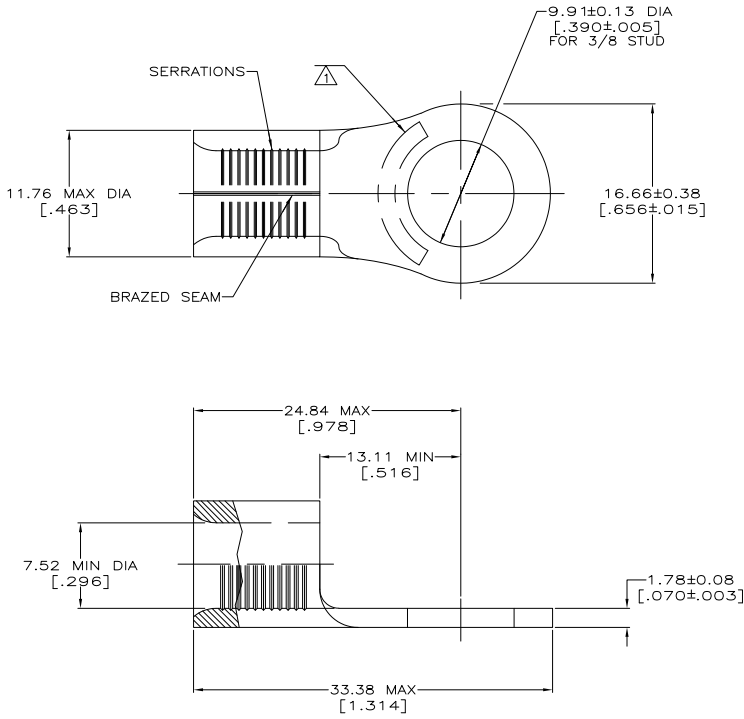
THE DRAWING IS UNPUBLISHED. RELEASED FOR PUBLICATION. ALL RIGHTS RESERVED.

REV	DATE	DESCRIPTION	DATE	BY	APP
1					
2	11MAR11	REVISED PER ECO-11-004917		RK	HMR

METRIC
DIMENSIONS LISTED IN mm [INCHES]

AMP WIRE RANGE	E13288 Listed
4 AWG SOLID OR STRANDED	4 AWG STRANDED
LR7189 Certified	MILITARY P/N AND CLASS
4 AWG SOLID OR STRANDED	NOT APPLICABLE

- △ STAMP AMP 4* APPROX AS SHOWN
- △ TIN PLATE 0.00254[.000100] MIN THK PER MIL-T-10727
- △ OBSOLETE PARTS: OBSOLETE CIS STREAMLINING PER D.RENAUD/D.SINISI



**AMP INCORPORATED
CUSTOMER SERVICE SYSTEMS**

MAX RECOMMENDED OPERATING TEMPERATURE: 170° C MAX
VOLTAGE RATING: NOT APPLICABLE
WIRE CROSS SECTIONAL AREA RANGE: 16.8-26.7mm ² [33,100-52,600] CIR MILS SOLID OR STRANDED
THIS DRAWING IS A CONTROLLED DOCUMENT FOR AMP INCORPORATED. IT IS SUBJECT TO CHANGE AND THE CONTROLLING ENGINEERING ORGANIZATION

FOR ADDITIONAL PRODUCT INFORMATION OR COPIES OF DRAWINGS AND TECHNICAL DOCUMENTS	PRODUCT INFORMATION CENTER 1-800-522-6752
FOR APPLICATION TOOLING INFORMATION	TOOLING ASSISTANCE CENTER 1-800-722-1111
FOR ORDER ENTRY	1-800-526-5142

OBSOLETE	△	QUANTITY	PACKAGING TYPE	PART NO
OBSOLETE	△	25	LOOSE PIECE, BAG	8-33471-5
OBSOLETE	△	50	LOOSE PIECE, BOX	8-33471-2
OBSOLETE	△	500	LOOSE PIECE, BOX	2-33471-3
OBSOLETE	△	500	ON TAPE, REEL	1-33471-2
OBSOLETE	CLEANED	-	LOOSE PIECE	1-33471-1
OBSOLETE	△	-	LOOSE PIECE	33471

THIS DRAWING IS A CONTROLLED DOCUMENT.		BY TA BRINKMAN 3-29-93	TE Connectivity	
DRAWN DA PATTERSON 3-29-93		CHKD DE MILLER 3-29-93	TERMINAL, RING TONGUE, SOLISTRAND™	
DIMENSIONS MM(INCHES)	TOLERANCES UNLESS OTHERWISE SPECIFIED:	PRODUCT SPEC	SIZE	CAGE CODE
Ø PUC	Ø PUC	APPLICATION SPEC	A2	00779
Ø PUC	Ø PUC	WEIGHT	SCALE	4:1
Ø PUC	Ø PUC	CUSTOMER DRAWING	SHEET	1 of 1
Ø PUC	Ø PUC		REV	P2
MATERIAL COPPER PER ASTM B-152 ANNEALED	FINISH SEE TABLE			

1471-9 (5/11)