

4

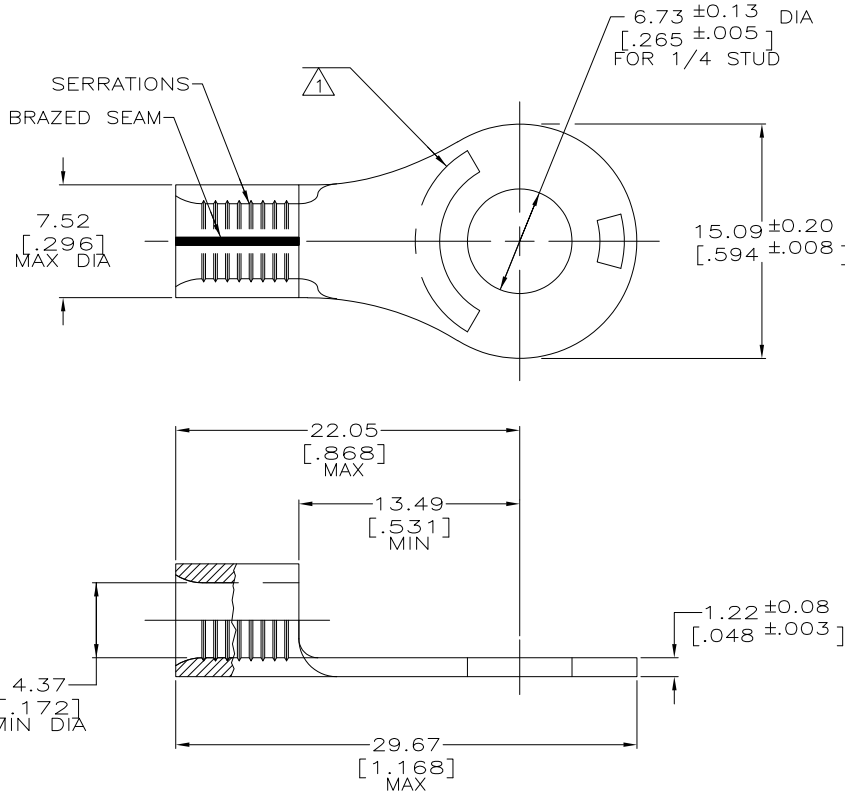
3

2

1

THIS DRAWING IS UNPUBLISHED. RELEASED FOR PUBLICATION
 © COPYRIGHT - By - ALL RIGHTS RESERVED.

LOC		DIST		REVISIONS			
P	LTR	DESCRIPTION		DATE	DWN	APVD	
G	14	G1	REVISED PER ECO-11-004917		11MAR11	RK	HMR



AMP WIRE RANGE	E13288 Listed
8 AWG SOLID OR STRANDED	8 AWG STRANDED
LR7189 Certified	MILITARY P/N AND CLASS
8 AWG SOLID OR STRANDED	NOT APPLICABLE

- △1 STAMP AMP 8* 14 APPROX AS SHOWN
- △2 TIN PL 0.00254[.000100] MIN THK PER ASTM B-545
- △3 NICKEL PL 0.00162[.000300] MIN THK PER QQ-N-290
- △4 PRELIMINARY - NOT FOR PRODUCTION

QTY	PACKAGE TYPE	FINISH	AMP PART NUMBER
50	LOOSE PIECE, BOX	-	8-35247-2
1,500	MOUNTED ON TAPE, REEL	△2 - △4	2-35247-2
-	LOOSE PIECE	△3 -	2-35247-1
-	LOOSE PIECE	△4 -	35247

OBsolete

AMP INCORPORATED CUSTOMER SERVICE SYSTEMS			THIS DRAWING IS A CONTROLLED DOCUMENT.		DWN 22AUG97 DK SCHRUM CHK 22AUG97 MJ SPICER APVD 22AUG97 JL MECKLEY PRODUCT SPEC APPLICATION SPEC WEIGHT - CUSTOMER DRAWING	TE Connectivity NAME TERMINAL, RING TONGUE, SOLISTRAND™ SIZE A3 CAGE CODE 00779 DRAWING NO C-35247 RESTRICTED TO - SCALE 4:1 SHEET 1 of 1 REV G1	
FOR ADDITIONAL PRODUCT INFORMATION OR COPIES OF DRAWINGS AND TECHNICAL DOCUMENTS PRODUCT INFORMATION CENTER 1-800-522-6752	RECOMMENDED OPERATING TEMPERATURE: 170° C MAX VOLTAGE RATING: NOT APPLICABLE	DIMENSIONS: mm [INCHES]	TOLERANCES UNLESS OTHERWISE SPECIFIED: 0 PLC ± - 1 PLC ± - 2 PLC ± - 3 PLC ± - 4 PLC ± - ANGLES ± - FINISH SEE TABLE	WIRE CROSS SECTIONAL AREA RANGE: 6.64-10.50mm² [13,100-20,800] CIR MILS SOLID OR STRANDED	MATERIAL COPPER PER ASTM B-152 ANNEALED		
FOR APPLICATION TOOLING INFORMATION TOOLING ASSISTANCE CENTER 1-800-722-1111	FOR ORDER ENTRY 1-800-526-5142						