

4

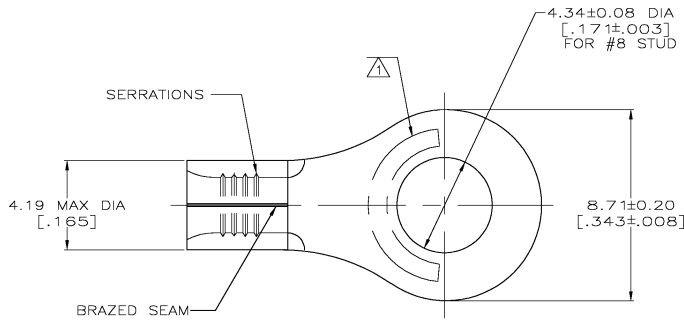
3

2

1

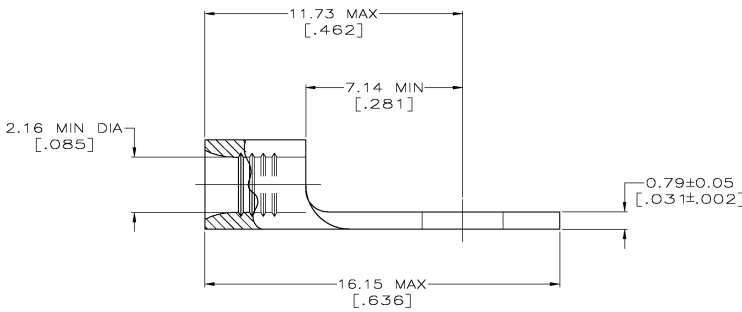
THIS DRAWING IS UNPUBLISHED. RELEASED FOR PUBLICATION
 © COPYRIGHT BY TYCO ELECTRONICS CORPORATION. ALL RIGHTS RESERVED.

LOC		DIBT		REVISIONS			DAP	DATE	DN	APPD
P	LR	DESCRIPTION	DATE	BY	REV	REV PER				
G	14			F	1	REV PER 063A-0602-03	30SEP03	JR	MS	



AMP WIRE RANGE	Listed FILE ET3288	LR7189 Certified
16-14 AWG SOLID OR STRANDED	N/A	N/A

△ STAMP AMP 16-14* APPROX AS SHOWN



5000	ON TAPE, REEL	2-322694-2
-	LOOSE PIECE	322694-0
QTY	PACKAGE TYPE	PART NO

AMP INCORPORATED CUSTOMER SERVICE SYSTEMS		MAX RECOMMENDED OPERATING TEMPERATURE: 343° C
FOR ADDITIONAL PRODUCT INFORMATION OR COPIES OF DRAWINGS AND TECHNICAL DOCUMENTS	PRODUCT INFORMATION CENTER 1-800-522-6752	VOLTAGE RATING: N/A
FOR APPLICATION	TOOLING ASSISTANCE CENTER 1-800-722-1111	CIRCULAR MIL AREA: 1.04-2.62mm ² (2.050-5.180) SOLID OR STRANDED
FOR ORDER ENTRY	1-800-526-5142	THIS DRAWING IS A CONTROLLED DOCUMENT FOR AMP INCORPORATED. IT IS SUBJECT TO CHANGE AND THE CONTROLLING ENGINEERING ORGANIZATION SHOULD BE CONTACTED FOR THE LATEST REVISION.

THIS DRAWING IS A CONTROLLED DOCUMENT.		DRW: TA BRINKMAN 4-18-93	Tyco Electronics Corporation Harrisburg, PA 17105
DIMENSIONS: INCHES		CHK: DA PATTERSON 4-18-93	
MATERIAL: COPPER PER		FINISH: NICKEL PLATE	PRODUCT SPEC: DA PATTERSON 4-18-93
TERMS OF SALE: 0 PLG 3 - - 1 PLG 3 - - 2 PLG 3 - - 3 PLG 3 - - 4 PLG 3 - - ANGLES 3 - -		APPLICATION SPEC: -	RESTRICTED TO: -
SIZE: A2		CAGE CODE: 00779	DRAWING NO: C=322694
CUSTOMER DRAWING		SCALE: 8:1	SHEET 1 OF 1 REV F

AMP 1471-9 REV 31MAR2000

H:\dmltermod\

322694

A