

4

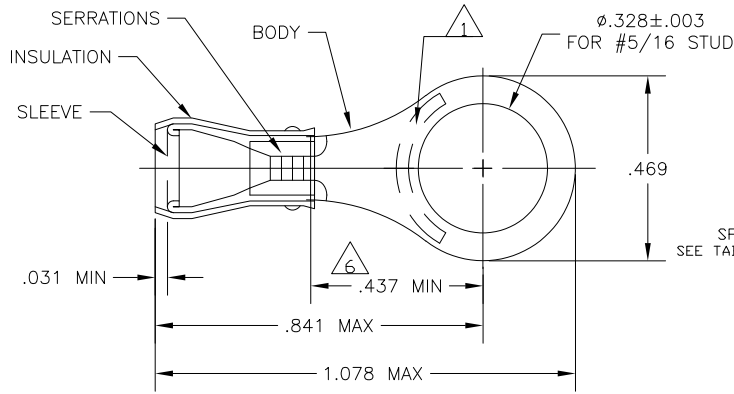
3

2

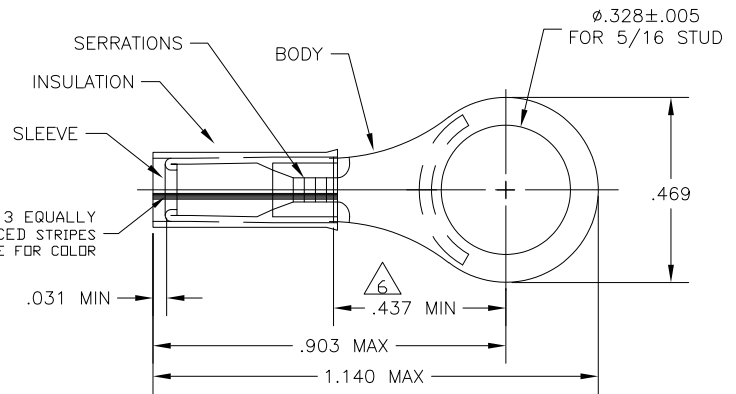
1

THIS DRAWING IS UNPUBLISHED. RELEASED FOR PUBLICATION
 © COPYRIGHT - By - ALL RIGHTS RESERVED.

LOC	DIST	REVISIONS			
P	LTR	DESCRIPTION	DATE	DWN	APVD
G	14	R3	REVISED PER ECO-11-004820	11MAR11	RK HMR



STYLE "A"



STYLE "B"
INSULATION RESTRICTING

- 1 STAMP (SEE TABLE) APPROX AS SHOWN
- 2 WIRE INSULATION DIA: SEE TABLE
- 3 TONGUE MATERIAL THK: .031 ± .002
- 4 BODY & SLEEVE: TIN PLATE PER ASTM B545
INSULATION: NYLON (MIL-M-20693), TYPE 1
- 5 BODY & SLEEVE- COPPER PER ASTM B152
INSULATION - COLOR - BLUE
- 6 APPLIES FROM EDGE OF METAL WIRE BARREL
TO CENTER OF STUD HOLE.
- 7 MEETS MS25036-109, CLASS 1 & 2
- 8 MEETS MS25036-109, CLASS 2
- 9 MEETS M7928/1-44, CLASS 1 & 2
- 10 MEETS M7928/1-53, CLASS 1 & 2

PART NO.	COLOR CODE	STAMPING	WIRE INS. DIA	WIRE SIZE	STYLE	QTY	DESCRIPTION	PART NO
-	-	AMP 16-14*	.105-.150	16-14	A	100	LOOSE PIECE BOX	8-320575-1
2-320575-5	GREEN	AMP 14*	.078-.130	14	B	1	INSULATION RESTRICTING	10 2-320575-3
2-320575-4	BLUE	AMP 16*	.063-.130	16	B	1	INSULATION RESTRICTING	9 2-320575-2
8 2-320575-1	-	AMP 16-14*	.105-.150	16-14	A	1	WIRE TERMINAL	7 320575

THIS DRAWING IS A CONTROLLED DOCUMENT.		DWN: JR RUTH 09SEP09		TE Connectivity TERMINAL, RING TONGUE, P.I.D.G. WIRE SIZE: 16-14 AWG	
DIMENSIONS: INCHES		CHK: T MICHELUTTI 09SEP09			
TOLERANCES UNLESS OTHERWISE SPECIFIED:		APVD: T MICHELUTTI 09SEP09		NAME	
0 PLC ± -		PRODUCT SPEC		RESTRICTED TO	
1 PLC ± -		APPLICATION SPEC		SIZE CAGE CODE DRAWING NO	
2 PLC ± -		WEIGHT		A3 00779 C-320575	
3 PLC ± .008		CUSTOMER DRAWING		SCALE 4:1 SHEET 1 OF 1 REV R3	
4 PLC ± -		FINISH			
5 ± -					