

4

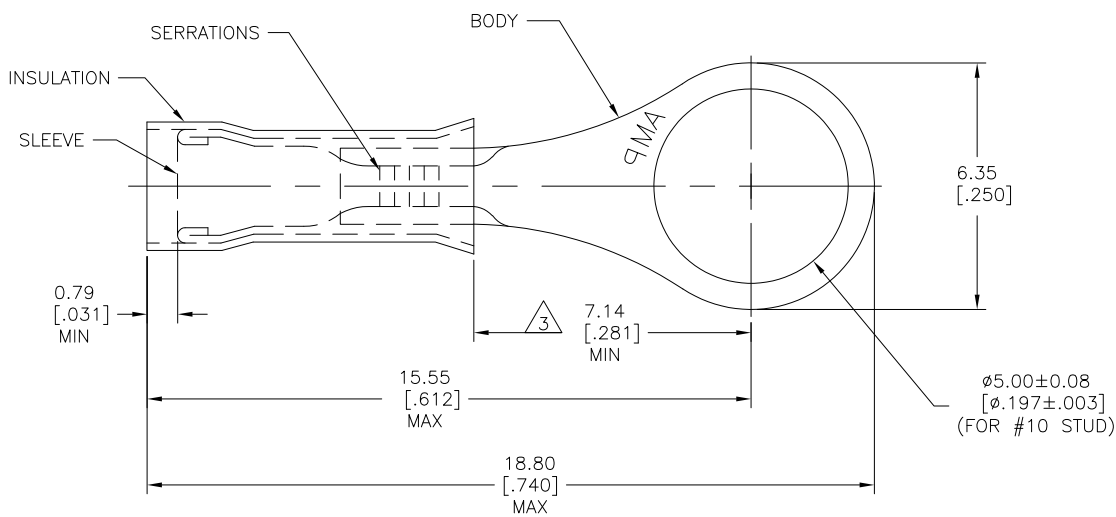
3

2

1

THIS DRAWING IS UNPUBLISHED. RELEASED FOR PUBLICATION  
 © COPYRIGHT - BY TYCO ELECTRONICS CORPORATION. ALL INTERNATIONAL RIGHTS RESERVED.

LOC	DIST	REVISIONS			
P	LTR	DESCRIPTION	DATE	DWN	APVD
G	14				
	G2	REVISED PER ECR-09-026553	04DEC09	JR	TM



1 FOR 1.27 [.050] TO 2.08 [.082] WIRE INSULATION DIA

2 TONGUE MATERIAL THK: 0.46±0.05 [.018±.002]

3 APPLIES FROM THE METAL EDGE OF THE BARREL TO THE CENTER OF THE STUD

4 MEETS MS25036-147, CLASS 2

100	LOOSE PC, BOX	BODY & SLEEVE: COPPER (ASTM-B152) TIN PL (ASTM-B545)	8-324075-1
4000	324075 ON TAPE	INSULATION: NYLON COLOR: YELLOW (ASTM-D4066) TYPE 1	4 2-324075-1
1	WIRE TERMINAL		4 324075
QTY	DESCRIPTION	MATERIAL & FINISH	PART NO

THIS DRAWING IS A CONTROLLED DOCUMENT.		DWN RAGHAVENDRA 27AUG09	Tyco Electronics Corporation Harrisburg, PA 17105-3608	
DIMENSIONS: mm [INCHES]		CHK JEFF RUTH 27AUG09	NAME TOM MICHIELUTTI	
TOLERANCES UNLESS OTHERWISE SPECIFIED:		APVD TOM MICHIELUTTI 27AUG09	PRODUCT SPEC ---	
0 PLC ± -		APPLICATION SPEC ---	SIZE A3	
1 PLC ± -		WEIGHT ---	CAGE CODE 00779	DRAWING NO C-324075
2 PLC ± -		MATERIAL SEE TABLE	RESTRICTED TO ---	
3 PLC ± 0.20 [.008]		FINISH SEE TABLE	SCALE 10:1	SHEET 1 of 1
4 PLC ± - ± 5°		CUSTOMER DRAWING	REV G2	