

4

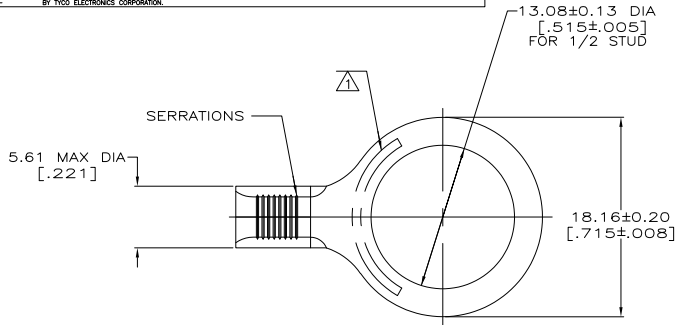
3

2

1

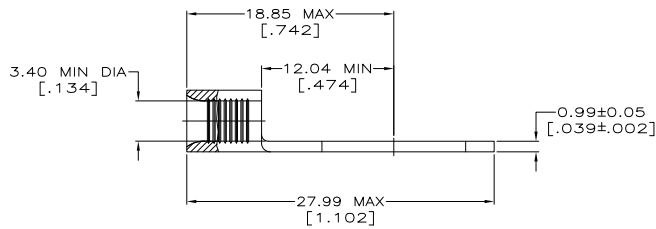
THIS DRAWING IS UNPUBLISHED. RELEASED FOR PUBLICATION
 © COPYRIGHT BY TYCO ELECTRONICS CORPORATION. ALL INTERNATIONAL RIGHTS RESERVED.

LOC	DIST	REVISIONS					
		P	LR	DESCRIPTION	DATE	BY	APP'D
G	14	A		REVISED PER 0720-0230-93	2/28/94	DKS	DAP



WIRE RANGE	Listed FILE E13288
12-10 AWG STRANDED	12-10 AWG STRANDED

- STAMP AMP 12-10* APPROX AS SHOWN
- COPPER PER ASTM B-152, ANNEALED
- TIN PLATE 0.00254 [.000100] MIN THK PER ASTM B545



52269-1
 PART NO.

MAX RECOMMENDED OPERATING TEMPERATURE: 170°C MAX VOLTAGE RATING: N/A CIRCULAR MIL AREA: 2.62-6.64mm ² [5,180-13,100] STRANDED	THIS DRAWING IS A CONTROLLED DOCUMENT.		DR. TA. BRINKMAN 2-8-93 CR. DA. PATTERSON 2-8-93 PFC. J.L. MECKLEY 2-8-93	Tyco Electronics Corporation Harrisburg, PA 17105-3608
	DIMENSIONS: MM (INCHES)	DIMENSIONS: OTHER UNITS	APPLICATION SPEC: WEIGHT:	PRODUCT SPEC: SIZE: CAGE CODE: DRAWING NO: A2 00779 C-52269
	MATERIAL: COPPER FINISH: TIN PLATE		CUSTOMER DRAWING	SCALE: 4:1 SHEET 1 of 1 REV A

1471-9 (1/08)

52269

A