

4

3

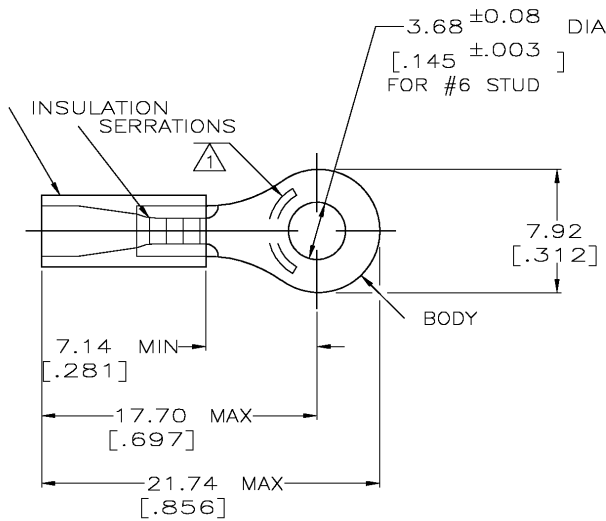
2

1

THIS DRAWING IS UNPUBLISHED. RELEASED FOR PUBLICATION
 © COPYRIGHT - BY TYCO ELECTRONICS CORPORATION. ALL RIGHTS RESERVED.

| LOC | DIST | REVISIONS | | | |
|-----|------|----------------------|---------|-----|------|
| P | LTR | DESCRIPTION | DATE | DWN | APVD |
| | K | REV PER OG3A-0642-04 | 16AUG04 | JR | TM |

| | | |
|--------------------------------|--------------------------------|--------------------------------|
| AMP WIRE RANGE | Listed FILE E13288 | LR7189 Certified |
| 22-16 AWG SOLID OR STRANDED | 22-16 AWG SOLID OR STRANDED | 22-16 AWG SOLID OR STRANDED |



- 1 STAMP AMP 22-18* 1-2 APPROX AS SHOWN 22-16 TERMINALS ARE STAMPED 22-18 IN ACCORDANCE WITH MILITARY SPEC MIL-T-7928 COMMERCIAL WIRE RANGE IS 22-16
- 2 WIRE INSULATION DIA: 2.67-3.56 [0.105-.140]
- 3 TONGUE MATERIAL THK: 0.79 ± 0.05 [0.031 ± 0.002]
- 4 MATERIAL: BODY - CU PER ASTM B152 SLEEVE - PVC, COLOR - RED

| | | |
|------|---------------|-----------|
| 100 | LOOSE PC,BOX | 8-34147-1 |
| 5000 | ON TAPE, REEL | 2-34147-1 |
| 1000 | LOOSE PIECE | 34147 |
| QTY | PACKAGE TYPE | PART NO. |

| | | | | | | |
|--|--|---|--|--|-------------------------------|--|
| AMP INCORPORATED CUSTOMER SERVICE SYSTEMS | | MAX RECOMMENDED OPERATING TEMPERATURE: 105°C [221°F] | THIS DRAWING IS A CONTROLLED DOCUMENT. | | DWN DK SCHRUM 08/06/92 | Tyco Electronics Corporation Harrisburg, Pa 17105-3608 |
| FOR ADDITIONAL PRODUCT INFORMATION OR COPIES OF DRAWINGS AND TECHNICAL DOCUMENTS | PRODUCT INFORMATION CENTER 1-800-522-6752 | VOLTAGE RATING: 600V MAX (1000V FIXTURE OR SIGN) | DIMENSIONS: MM [INCHES] | TOLERANCES UNLESS OTHERWISE SPECIFIED: | CHK RE HERSEY 11/10/92 | |
| FOR APPLICATION | TOOLING ASSISTANCE CENTER 1-800-722-1111 | CIRCULAR MIL AREA: 0.26-1.85mm² [509-3260] SOLID OR STRANDED | | 0 PLC ± - 1 PLC ± - 2 PLC ± 0.20[.008] 3 PLC ± - 4 PLC ± - ANGLES ± - | APVD M BARNABA 11/10/92 | NAME TERMINAL, RING TONGUE, PLASTI-GRIP, WIRE SIZE, 22-16 AWG |
| TOOLING INFORMATION | 1-800-526-5142 | THIS DRAWING IS A CONTROLLED DOCUMENT FOR AMP INCORPORATED. IT IS SUBJECT TO CHANGE AND THE CONTROLLING ENGINEERING ORGANIZATION SHOULD BE CONTACTED FOR THE LATEST REVISION. | MATERIAL | FINISH TIN PER ASTM B545 | APPLICATION SPEC UL 486A | RESTRICTED TO |
| FOR ORDER ENTRY | 1-800-526-5142 | | | | WEIGHT - | SIZE A3 |
| | | | | | CAGE CODE 00779 | DRAWING NO C-34147 |
| | | | | | CUSTOMER DRAWING | SCALE 4:1 |
| | | | | | SHEET 1 | OF 1 |
| | | | | | REV K | |

AMP 1470-19 REV 31MAR2000