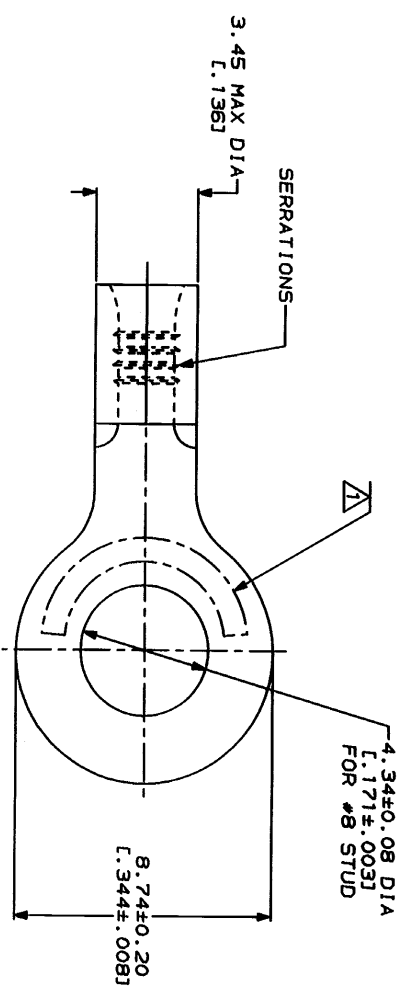


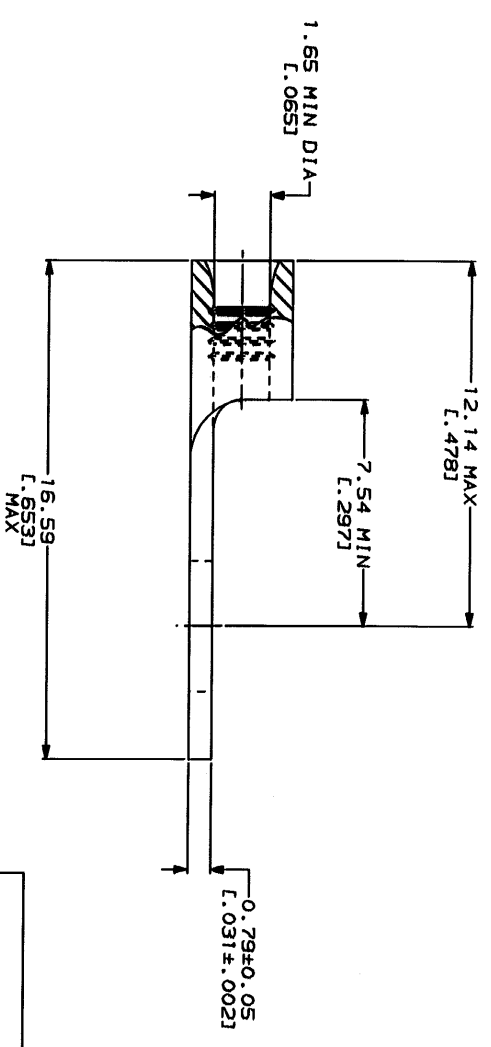


REV	DATE	DESCRIPTION	BY	APP'D
6	14	REVISED PER 0720-0230-93	A	[REDACTED]



WIRE RANGE	E13288 Listed
22-16 AWG STRANDED	22-16 AWG STRANDED
LR7199 Certified	MILITARY P/N AND CLASS
NOT CERTIFIED	NOT APPLICABLE

STAMP AMP 22-18* APPROX AS SHOWN
 22-16 TERMINALS ARE STAMPED 22-18 IN
 ACCORDANCE WITH MILITARY SPECIFICATION
 MIL-T-79289, COMMERCIAL WIRE RANGE IS 22-16



AMP INCORPORATED CUSTOMER SERVICE SYSTEMS

FOR ADDITIONAL PRODUCT INFORMATION OR COPIES OF DRAWINGS AND TECHNICAL DOCUMENTS	PRODUCT INFORMATION CENTER 1-800-522-6752	VOLTAGE RATING: NOT APPLICABLE	MAX RECOMMENDED OPERATING TEMPERATURE: 170°C MAX
FOR APPLICATION TOOLING INFORMATION	TOOLING ASSISTANCE CENTER 1-800-722-1111	WIRE CROSS SECTIONAL AREA RANGE: 0.26-1.65mm ² (509-3,260) CIR MILS STRANDED	
FOR ORDER ENTRY	1-800-526-5142		

DO NOT SCALE PRINT. UNLESS SPECIFIED OTHERWISE DIMENSIONS IN INCHES - TOLERANCES ON ± .010 C.D. DEC ± .005 ANGLES ± .5°	FINISH: TIN PLATE 0.0025±(L. 000100) MIN THK PER MIL-T-10727
---	--

DR 2-26-93 TA BRINKMAN	CHK 2-26-93 DA PATTERSON
APPRO 2-26-93 DE MILLER	APPRO 2-26-93 DE MILLER
PRODUCT SPEC	APPLICATION SPEC
WEIGHT	

AMP	AMP Incorporated Harrisburg, PA 17105-3608
TERMINAL, RING TONGUE, BUDGET	
SIZE CASE CODE 00779	DRAWING NO 32823
SCALE 8:1	SHEET 1 OF 1

32823
PART NO

25-FEB-94 13:18:47 0925463 //files/dep1123/dep123/4_bod/dep/22-16

CUSTOMER DRAWING