

4

3

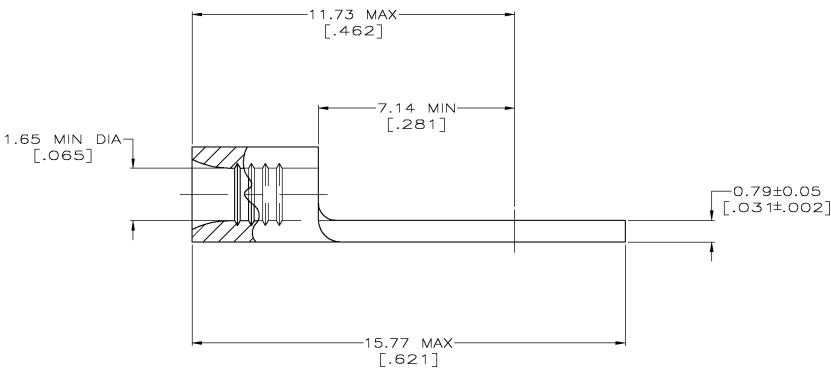
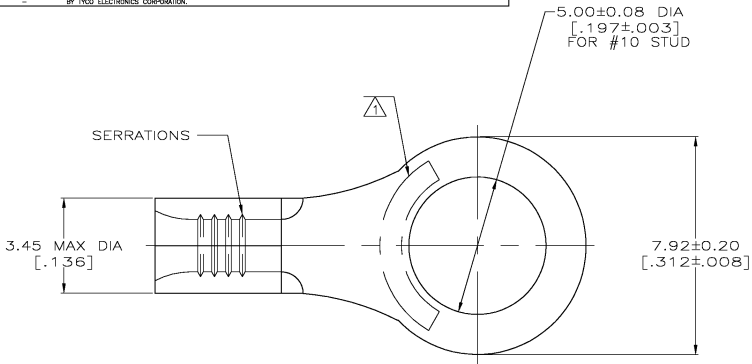
2

1

THIS DRAWING IS UNPUBLISHED. RELEASED FOR PUBLICATION
 BY TYCO ELECTRONICS CORPORATION. ALL RIGHTS RESERVED.

LOC		DIST		REVISIONS			
P	LN	DESCRIPTION	DATE	BY	APP'D		
G	14	H	REV PER 063A-0600-03	30SEPT03	JR	MS	

AMP WIRE RANGE		Listed FILE E1-3288	
22-16 AWG STRANDED		22-16 AWG STRANDED	



- △ STAMP AMP 22-18* APPROX AS SHOWN
22-16 TERMINALS ARE STAMPED 22-18 IN ACCORDANCE WITH MILITARY SPECIFICATION MIL-T-7928; COMMERCIAL WIRE RANGE IS 22-16
- △ TIN PLATE 0.00254 [.000100] MIN THK
- △ PRELIMINARY - NOT FOR PRODUCTION

AMP INCORPORATED CUSTOMER SERVICE SYSTEMS		MAX RECOMMENDED OPERATING TEMPERATURE: 170°C
FOR ADDITIONAL PRODUCT INFORMATION OR COPIES OF DRAWINGS AND TECHNICAL DOCUMENTS 1-800-522-6752	PRODUCT INFORMATION CENTER 1-800-522-6752	VOLTAGE RATING: N/A
FOR APPLICATION TOOLING ASSISTANCE CENTER 1-800-722-1111	TOOLING INFORMATION 1-800-722-1111	CIRCULAR MIL AREA: 0.26-1.85mm ² [509-3,260] STRANDED
FOR ORDER ENTRY 1-800-526-5142	THIS DRAWING IS A CONTROLLED DOCUMENT FOR AMP INCORPORATED. IT IS SUBJECT TO CHANGE AND THE CONTROLLING ENGINEERING ORGANIZATION SHOULD BE CONTACTED FOR THE LATEST REVISION.	

50	LOOSE PIECE, BOX	8-30693-2
5000	ON TAPE, REEL	△ 3-30693-7
-	LOOSE PIECE	30693
QTY	PACKAGE TYPE	PART NO.

THIS DRAWING IS A CONTROLLED DOCUMENT.		REV. TA BRINKMAN 2-3-93	Tyco Electronics Corporation Harrisburg, PA 17105
DIMENSIONS: INCHES		OK DA PATTERSON 2-3-93	
MATERIAL: COPPER ASTM B152		APPROVED: DA PATTERSON 2-3-93	TERMINAL, RING TONGUE, BUDGET
FINISH: TIN PLATE △		APPLICATION SPEC: -	SHEET: A2
CUSTOMER DRAWING		HEIGHT: -	CASE CODE: 00779
		RESTRICTED TO: -	DRAWING NO: 30693
		SCALE: 10:1	SHEET: 1 OF 1

AMP 1421-9 REV 31MAR2000
 H:\dml\ecmod\