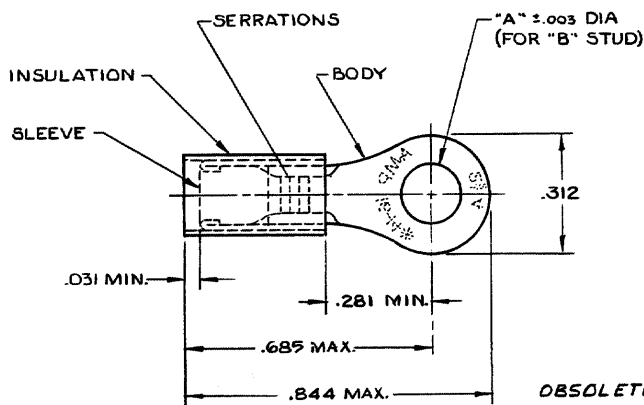


DRAWING MADE IN THIRD ANGLE PROJECTION

THIS DRAWING IS UNPUBLISHED. RELEASED FOR PUBLICATION, 1968
 © COPYRIGHT 1968 BY AMP INCORPORATED, HARRISBURG, PA. ALL INTERNATIONAL RIGHTS RESERVED. AMP PRODUCTS MAY BE COVERED BY U.S. AND FOREIGN PATENTS AND/OR PATENTS PENDING.

REVISIONS						
P	F	ZONE	LTR	DESCRIPTION	DATE	APPROVED
			D	REDRAWN-REVISED PER G-1477, G-1177 & PB5-0081 THRU-0084	1/12/68	[Signature]
			E	OBSOLETE -9 PER G-2393	9/23/67	[Signature]



WIRE INSULATION DIA. = .105 - .150
 TONGUE MATERIAL THK. = .031 ± .002
 TIN PLATE (MIL-T-10727)
 STAMPING MAY BE ON TOP OR BOTTOM.

OBSOLETE

STUD "B"	DIA. "A"	QUANTITY	DESCRIPTION	PART NO
#10	.197	100	ON TAPE, SM. BOX	51861-7
#10	.197	1000	ON TAPE, LG. BOX	51861-8
#6	.145	100	ON TAPE, SM. BOX	51861-7
#6	.145	1000	ON TAPE, LG. BOX	51861-6
#8	.171	5000	ON TAPE, REEL	51861-5
#10	.197	5000	ON TAPE, REEL	51861-4
#6	.145	5000	ON TAPE, REEL	51861-3
#10	.197	—	LOOSE PIECE	51861-2
#8	.171	—	LOOSE PIECE	51861-1
#6	.145	—	LOOSE PIECE	51861

UNLESS OTHERWISE SPECIFIED DIMENSIONS ARE IN INCHES. TOLERANCES ON: DECIMALS ±.005 ANGLES ±5°		CONTRACT NO DR UTA / RFD 9-25-85		AMP INCORPORATED Harrisburg, Pa.	
MATERIAL INSULATION: PVC - BLUE BODY & SLEEVE: COPPER (Q-Q-C-976)		CHK [Signature] 1/16 APPD [Signature] 1/13/68		NAME WIRE TERMINAL P.I.D.G. RING TONGUE WIRE SIZE: 16-14	
FINISH BODY: SEE NOTE		OTHER APPD		SIZE B	FSCM NO 00779
				DRAWING NO 51861	SCALE NTS
				SHEET 1 OF 1	

CUSTOMER DRAWING