

4

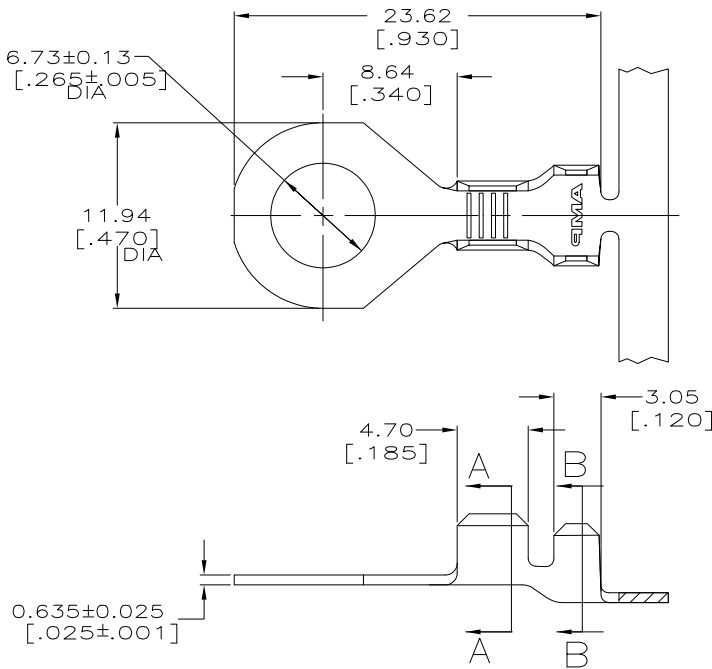
3

2

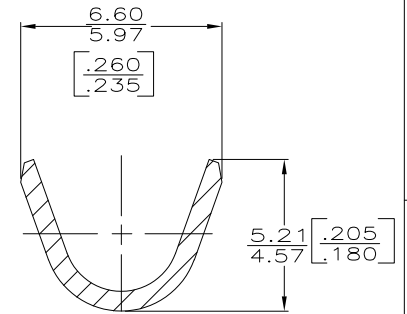
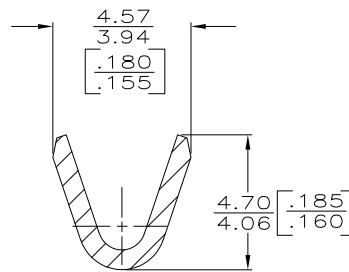
1

THIS DRAWING IS UNPUBLISHED. RELEASED FOR PUBLICATION
 © COPYRIGHT - BY TYCO ELECTRONICS CORPORATION. ALL INTERNATIONAL RIGHTS RESERVED.

LOC	DIST	REVISIONS				
P	LTR	DESCRIPTION	DATE	DWN	APVD	
AF	50					
	D	REVISED PER ECR-10-006099	19JUL10	HMR	PD	



- 1 CONTINUOUS STRIP ON REEL.
- 2 INSULATION RANGE: 2.16-3.05 [.085-.120] F CRIMP
3.05-3.56 [.120-.140] O CRIMP.



	[18-14] AWG	485029-1
INSULATION RANGE	WIRE RANGE	PART NO
Tyco Electronics Corporation Harrisburg, PA 17105-3608		
RING		
SIZE	CAGE CODE	DRAWING NO
A3	00779	C-485029
CUSTOMER DRAWING		SCALE 4:1 SHEET 1 OF 1 REV D

THIS DRAWING IS A CONTROLLED DOCUMENT.		DWN 2/17/94 PHILLIP M. FORTNEY
DIMENSIONS: mm [INCHES]		CHK 2/17/94 JEFF RUTH
TOLERANCES UNLESS OTHERWISE SPECIFIED:		APVD 2/17/94 GARY YETTER
0 PLC	± -	PRODUCT SPEC
1 PLC	± -	APPLICATION SPEC
2 PLC	± 0.25 [.010]	
3 PLC	± -	
4 PLC	± -	
ANGLES	± -	
MATERIAL	FINISH	WEIGHT
082 BRASS	TIN	