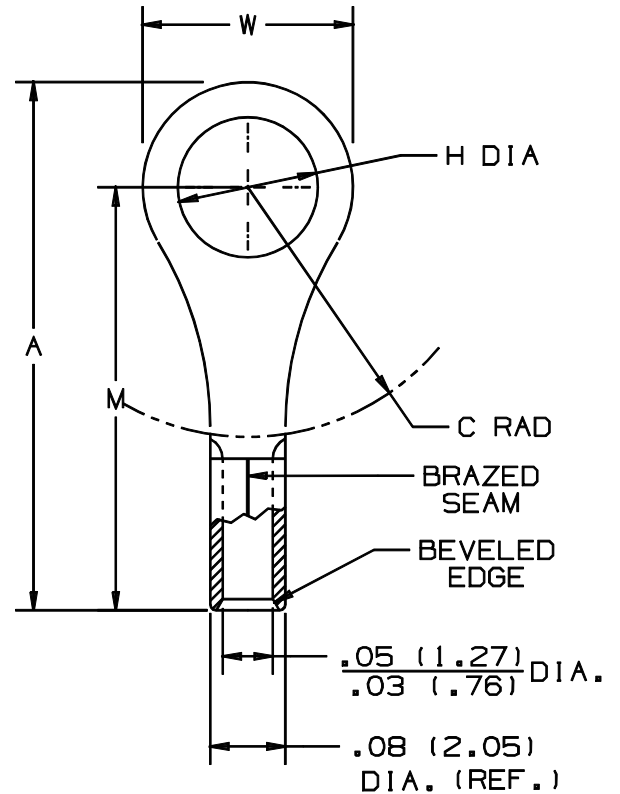


THIS COPY IS PROVIDED ON A RESTRICTED BASIS AND IS NOT TO BE USED IN ANY WAY DETRIMENTAL TO THE INTERESTS OF PANDUIT CORP.


| PANDUIT PART NUMBER | STUD SIZE | DIMENSIONS in. | | | | |
|---------------------|-----------|----------------|----------------|---------------|----------------|----------------|
| | | A (MAX) | W $\pm .010$ | C (MIN) | M $\pm .02$ | H $\pm .010$ |
| P22-2R | #2 | .52 (13.20) | .205 (5.20) | .16 (4.06) | .42 (10.67) | .092 (2.34) |
| P22-4R | #4 | .52 (13.20) | .205 (5.20) | .16 (4.06) | .42 (10.67) | .132 (3.35) |
| P22-6R | #6 | .52 (13.20) | .205 (5.20) | .16 (4.06) | .42 (10.67) | .152 (3.86) |
| P22-8R | #8 | .63 (16.00) | .260 (6.60) | .25 (6.35) | .50 (12.70) | .175 (4.45) |
| P22-10R | #10 | .63 (16.00) | .315 (8.00) | .22 (5.59) | .47 (11.93) | .215 (5.46) |



NOTES:

1. RECOMMENDED FOR #26-22 SOLID OR STRANDED COPPER WIRE
2. MATERIAL:
A. STAMPING - .020 (0.51) THK COPPER, TIN PLATED
3. PACKAGE QTY: STD. PKG. -C=100
BULK PKG. -M=1000
4. DIMENSIONS IN BRACKETS ARE IN MILLIMETERS
5. INSTALLATION TOOLS: CT-100 (PKT B), CT-200
6. WIRE STRIP LENGTH: $3/16 \begin{matrix} +1/32 \\ -0 \end{matrix} (4.8 \begin{matrix} +.8 \\ -0 \end{matrix})$

A41227_05

| | | | | | | | | | | | |
|-----|------|-----|-----|------------------------------------|-------|-----|------|--------------|-----------|---|--------------------|
| 05 | 1/01 | KMD | | CAD FILE SPEC. WAS N41227AA_PCD_04 | | | | | |  TINLEY PARK, ILLINOIS | |
| 04 | 9-96 | JB | | UPDATE DIMENSIONS | 05029 | | | | | | |
| 03 | 8-95 | MS | RLS | UPDATED NOTES AND DIMENSIONS | 03539 | KRS | LA | | | | |
| 02 | 7-88 | DW | | REDRAWN WITH REVISIONS | | | JB | | | #26-22 BARREL NON-INSULATED RING TONGUE | |
| REV | DATE | BY | CHK | DESCRIPTION | ECN | PM | CUST | DRAWN BY DAW | CHK'D RLS | SCALE NONE | DRAWING NO. A41227 |