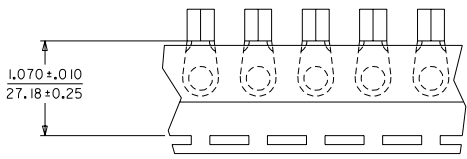
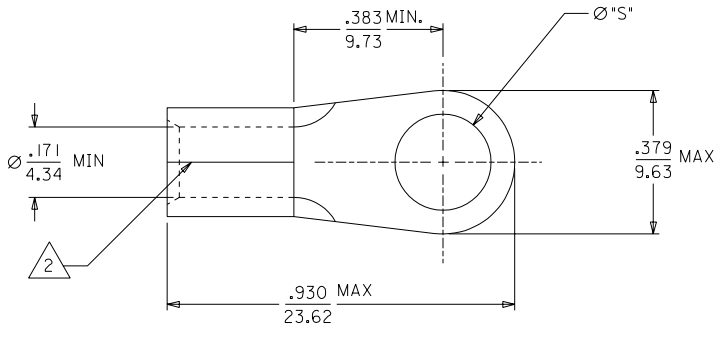


MATERIAL NUMBER	ENGINEERING NUMBER	STUD SIZE	"S" ±.003/(0.08)	PACKAGING
191930198	D-356-06	6	.146/(3.71)	LOOSE PIECE
191930200	D-356-08	8	.173/(4.39)	
191930202	D-356-10	10	.198/(5.03)	
191930204	D-356-14	14	.265/(6.73)	
191930199	D-356-06T	6	.146/(3.71)	TAPE
191930201	D-356-08T	8	.173/(4.39)	
191930203	D-356-10T	10	.198/(5.03)	
191930205	D-356-14T	14	.265/(6.73)	



TAPE MOUNTING LOCATION



SALES DRAWING

- NOTES:
- MATERIAL: COPPER
PLATING: ELECTRO-TIN.
 - BRAZE SEAM.

WAS SD-19069-012 EC NO. E1C2003-0333 DRAWN BY BRE 03/06/18 CHK: HEB 03/06/18 APPR: RWD 03/06/18	QUALITY SYMBOLS	GENERAL TOLERANCES: (UNLESS SPECIFIED)	SCALE 4:1	DESIGN UNITS <input type="checkbox"/> mm <input checked="" type="checkbox"/> INCH	THIRD ANGLE PROJECTION	DIMENSIONS: <input type="checkbox"/> mm <input checked="" type="checkbox"/> INCH	SHT	REV
	MAJOR	4 PLACES ±0.1	mm	DRAWN BY & DATE BRE 03/06/18	TITLE: RING TONGUE TERMINAL VERSAKRIMP 8 AWG	<input type="checkbox"/> mm ONLY	REVISE ON CAD ONLY	
	CRITICAL	3 PLACES ±0.05	INCH	CHECKED BY & DATE HEB 03/06/18				
	DESCRIPTION	2 PLACES ±0.02	ANGULAR ± 1/2 °	APPROVED BY & DATE RWD 03/06/18	CAD FILENAME SD-19193-012_S01	MATERIAL NO. SEE CHART	DRAWING NO. SD-19193-012	SHEET NO. 1 OF 1
REV	1 PLACE ±0.01	DRAFT WHERE APPLICABLE MUST REMAIN WITHIN DIMENSIONS	THIS DRAWING CONTAINS INFORMATION THAT IS PROPRIETARY TO MOLEX INCORPORATED AND SHOULD NOT BE USED WITHOUT WRITTEN PERMISSION.		MOLEX INCORPORATED	SIZE B		