

4

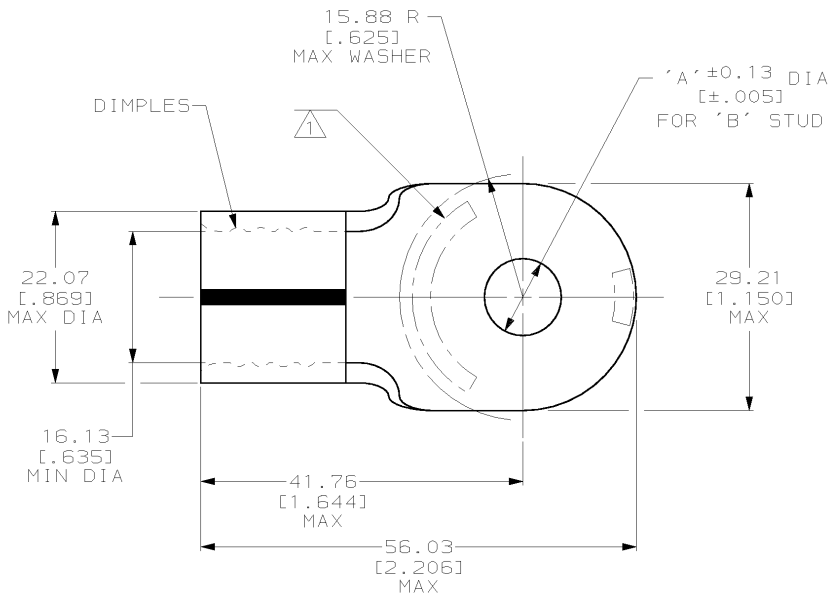
3

2

1

THIS DRAWING IS UNPUBLISHED. RELEASED FOR PUBLICATION
 © COPYRIGHT 19 BY AMP INCORPORATED. ALL RIGHTS RESERVED.

LOC	DIST	REVISIONS				
P	LTR	DESCRIPTION	DATE	DWN	APVD	
G	14	M	REV PER 0G3A-0529-01	28SEP01	JR	MJS



AMP WIRE RANGE	UL E13288 Listed
4/0 AWG SOLID OR STRANDED	4/0 AWG SOLID OR STRANDED
SP LR7189 Certified	MILITARY P/N AND CLASS
4/0 AWG SOLID OR STRANDED	NOT APPLICABLE

- 1 STAMP AMP 4/0W* 200 APPROX AS SHOWN
- 2 MATERIAL THK: 2.59 ±0.08 [1.02 ±.003]
- 3 TIN PL 0.00254 [0.000100] MIN THK PER ASTM B 545
- 4 NICKEL PL 0.00762 [0.000300] MIN THK PER QQ-N-290
- 5 SEE RESTRICTED CUSTOMER DRAWING 2-36932-5
- 6 SEE RESTRICTED CUSTOMER DRAWING 2-36932-6

OBsolete	9.91 [.390]	3/8	4	2-36932-7
6	-	-	-	2-36932-6
6	-	-	-	2-36932-5
6	6.73 [.265] +0.38 [.015] -0.13 [-.005]	1/4	3	2-36932-2
6	9.91 [.390]	3/8	3	36932
	'A'	'B'	FINISH	AMP PART NUMBER

AMP INCORPORATED CUSTOMER SERVICE SYSTEMS			THIS DRAWING IS A CONTROLLED DOCUMENT FOR AMP INCORPORATED. IT IS SUBJECT TO CHANGE AND THE CONTROLLING ENGINEERING ORGANIZATION SHOULD BE CONTACTED FOR THE LATEST REVISION.		DWN 15MAY96 CHK DK SCHRUM 01JUL96		AMP AMP Incorporated Harrisburg, PA 17105-3608	
FOR ADDITIONAL PRODUCT INFORMATION OR COPIES OF DRAWINGS AND TECHNICAL DOCUMENTS		PRODUCT INFORMATION CENTER 1-800-522-6752	RECOMMENDED OPERATING TEMPERATURE: 170°C MAX	DIMENSIONS: mm (INCHES)	TOLERANCES UNLESS OTHERWISE SPECIFIED:	DM SWARTZ APVD JL MECKLEY 01JUL96		NAME TERMINAL, RING TONGUE, SOLISTRAND
FOR APPLICATION TOOLING INFORMATION		TOOLING ASSISTANCE CENTER 1-800-722-1111	VOLTAGE RATING: NOT APPLICABLE		0 PLC ±- 1 PLC ±- 2 PLC ±0.20 [.008] 3 PLC ±- 4 PLC ±- ANGLES ±-	PRODUCT SPEC - APPLICATION SPEC -		SIZE A3
FOR ORDER ENTRY		1-800-526-5142	WIRE CROSS SECTIONAL AREA RANGE: 96.3-117.0mm² [190,000-231,100] CIR MILS STRANDED	MATERIAL COPPER PER ASTM B-152 ANNEALED	FINISH - -	WEIGHT -		CAGE CODE 00779
					DRAWING NO C-36932		SCALE 2:1	
					CUSTOMER DRAWING		SHEET 1 OF 1	
							REV M	

AMP 1470-19 REV 09MAY94
 06-APR-99 09:42:12 amp10398 /home/ssrv027a/dsk01/dept1132/amp10398/edmod