

4

3

2

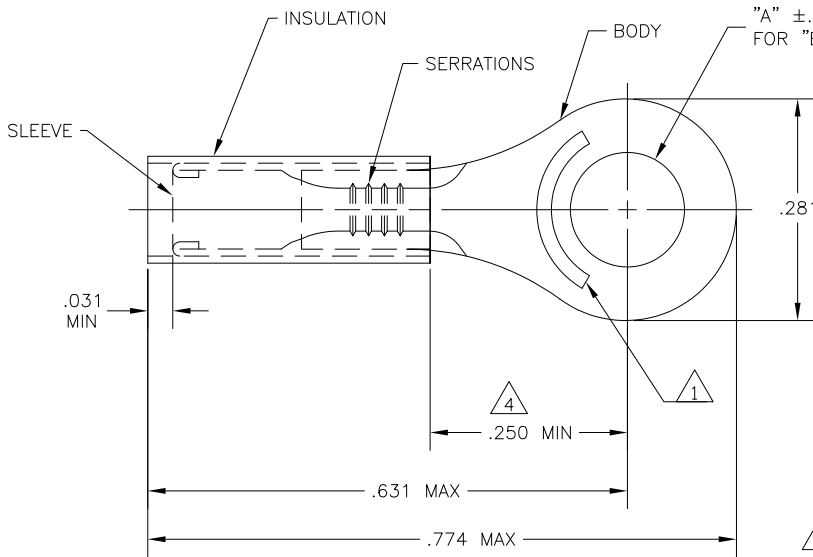
1

THIS DRAWING IS UNPUBLISHED. RELEASED FOR PUBLICATION  
 © COPYRIGHT - By - ALL RIGHTS RESERVED.

LOC	DIST	REVISIONS			
P	LTR	DESCRIPTION	DATE	DWN	APVD
G	14				
	K5	REVISED PER ECO-11-004820	11MAR11	RK	HMR

**AMP**  
WIRE RANGE

22-20 AWG  
STRANDED



- 1 STAMP AMP 22-20 APPROX AS SHOWN
- 2 FOR .035 TO .100 WIRE INSULATION DIA
- 3 TONGUE MATERIAL THK .023±.002
- 4 DIMENSION APPLIES FROM EDGE OF METAL WIRE BARREL TO CENTER OF STUD HOLE.
- 5 BODY: MATERIAL - COPPER ASTM B152  
FINISH - OVER NICKEL PLATE (QQ-N-290) .0003 AVG EXT. THK.
- 6 SLEEVE: MATERIAL - COPPER ASTM B152  
FINISH - NICKEL PL. (QQ-N-290) .00003 AVG EXT. THK.
- 7 INSULATION:  
MATERIAL - TEFLON (ASTM D3295)  
COLOR: GREEN
- 8 REPLACED BY 50831
- 9 OBSOLETE PARTS: OBSOLETE CIS STREAMLINING PER D.RENAUD/D.SINISI

#	QTY	DESCRIPTION	PART NO.
#4	100	SMALL PACK 50831	8-50831-1
SUPERSEDED #6	2500	50831-1 ON TAPE	50831-3
OBSOLETE #4	2500	50831 ON TAPE	50831-2
#6	1000	LOOSE PIECE	50831-1
#4	1000	LOOSE PIECE	50831
"B"	"A"	QTY	PACKAGE TYPE
			PART NO.

THIS DRAWING IS A CONTROLLED DOCUMENT.

DIMENSIONS: INCHES	TOLERANCES UNLESS OTHERWISE SPECIFIED: 0 PLC ± - 1 PLC ± - 2 PLC ± .02 3 PLC ± .008 4 PLC ± - ANGLES ± 1°	DWN JR RUTH 08AUG07	<b>STE</b> TE Connectivity	
		CHK T MICHELUTTI 08AUG07		
		APVD T MICHELUTTI 08AUG07	NAME	TERMINAL - TEFLON, PIDG, STRATO-THERM, RING TONGUE,
MATERIAL	FINISH	PRODUCT SPEC	SIZE	CAGE CODE
5	5	APPLICATION SPEC	A3	00779
		WEIGHT	DRAWING NO	©=50831
		CUSTOMER DRAWING	SCALE	8:1
			SHEET	1 OF 1
			REV	K5