

4

3

2

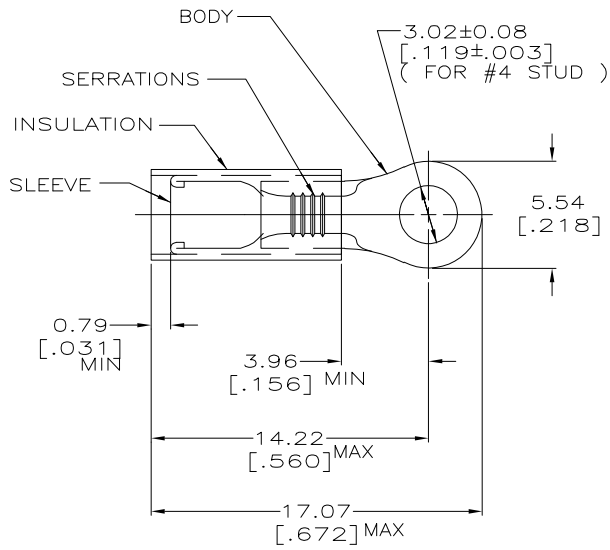
1

THIS DRAWING IS UNPUBLISHED. RELEASED FOR PUBLICATION
 © COPYRIGHT - BY TYCO ELECTRONICS CORPORATION. ALL RIGHTS RESERVED.

LOC	DIST	REVISIONS			
P	LTR	DESCRIPTION	DATE	DWN	APVD
G	14	K2	REV PER ECR 05-013140	200CT05	JR TM

AMP
WIRE RANGE

18-16 AWG
STRANDED ONLY



- 1 STAMP "AMP 18-16"
- 2 FOR 1.40 TO 3.43 [.055 TO .135] WIRE INSULATION DIA.
- 3 TONGUE MATERIAL THK: 0.79±0.05 [.031±.002]
- 4 BODY: MATERIAL: COPPER ASTM B152
FINISH: NICKEL PL. (QQ-N-290)
0.0076 [.0003] AVG EXT THK.
- 5 SLEEVE: MATERIAL: COPPER ASTM B152
FINISH: NICKEL PL. (QQ-N-290)
0.0076 [.0003] AVG EXT THK.
- 6 INSULATION: MATERIAL: TEFLON (ASTM D3295)
COLOR: ORANGE
- 7 PRELIMINARY - NOT FOR PRODUCTION

5000	ON TAPE	7 50834-1
1000	LOOSE PIECE	50834
QTY	PACKAGE TYPE	PART NO.

AMP INCORPORATED
CUSTOMER SERVICE SYSTEMS

FOR ADDITIONAL PRODUCT INFORMATION OR COPIES OF DRAWINGS AND TECHNICAL DOCUMENTS: 1-800-522-6752

FOR APPLICATION TOOLING ASSISTANCE CENTER: 1-800-722-1111

FOR ORDER ENTRY: 1-800-526-5142

MAX RECOMMENDED OPERATING TEMPERATURE: 288°C [550° F]

VOLTAGE RATING: 300V MAX

CIRCULAR MIL AREA: 0.81-1.42mm² [1600-2800] STRANDED WIRE ONLY

THIS DRAWING IS A CONTROLLED DOCUMENT FOR AMP INCORPORATED. IT IS SUBJECT TO CHANGE AND THE CONTROLLING ENGINEERING ORGANIZATION SHOULD BE CONTACTED FOR THE LATEST REVISION.

THIS DRAWING IS A CONTROLLED DOCUMENT.

DIMENSIONS: MM [INCHES]

TOLERANCES UNLESS OTHERWISE SPECIFIED:

0 PLC	± -
1 PLC	± -
2 PLC	± 0.20[.008]
3 PLC	± -
4 PLC	± -
ANGLES	± -

MATERIAL: 4 5 6

FINISH: 4 5 6

OWN: JR RUTH 05JAN99
 CHK: RE HERSEY 05JAN99
 APVD: T MICHELUTTI 05JAN99

tyco Electronics Tyco Electronics Corporation
Harrisburg, PA 17105-3608

NAME: TERMINAL, PIDG, STRATO-THERM, RING TONGUE, WIRE SIZE: 18-16

SIZE: A3 CAGE CODE: 00779 DRAWING NO: 50834 RESTRICTED TO: -

WEIGHT: -

CUSTOMER DRAWING SCALE: 5:1 SHEET: 1 of 1 REV: K2