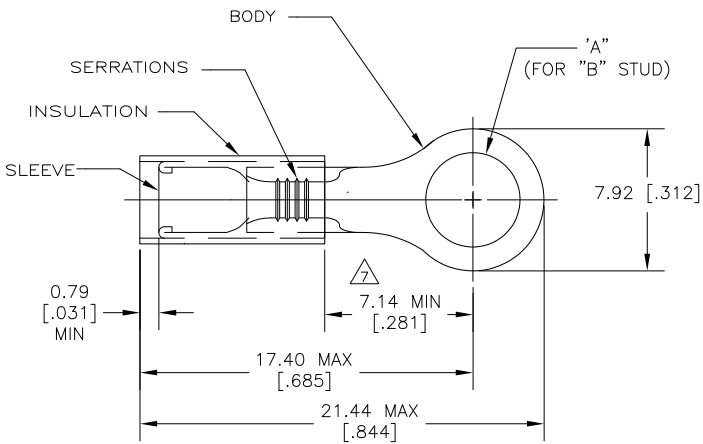


THIS DRAWING IS UNPUBLISHED. RELEASED FOR PUBLICATION
 © COPYRIGHT - By - ALL RIGHTS RESERVED.

LOC	DIST	REVISIONS			
P	LTR	DESCRIPTION	DATE	DWN	APVD
G	14	L5	REVISED PER ECO-11-004917	11MAR11	RK HMR

- 1 STAMP " AMP 18-16"
- 2 FOR 1.40 TO 3.43 [.055 TO .135] WIRE INSULATION DIA.
- 3 TONGUE MATERIAL THK: 0.79±0.05 [.031±.002]
- 4 BODY: MATERIAL: COPPER ASTM B152
FINISH: NICKEL PL. (QQ-N-290)
0.0076 [.0003] AVG EXT THK.
- 5 SLEEVE: MATERIAL: COPPER ASTM B152
FINISH: NICKEL PL. (QQ-N-290)
0.0076 [.0003] AVG EXT THK.
- 6 INSULATION: MATERIAL: TEFLON (ASTM D3295)
COLOR: ORANGE
- 7 DIMENSION APPLIES FROM EDGE OF WIRE BARREL TO CENTER OF STUD HOLE
- 8 PACKED 1000 PIECES
- 9 PACKED 5000 PIECES
- 10 PACKED 100 PIECES
- 11 PRELIMINARY - NOT FOR PRODUCTION



#10	5.00±0.008 [.197±.003]	---	9-50836-1	10 11
#10	5.00±0.008 [.197±.003]	50836-3	50836-1	8
#8	4.34±0.008 [.171±.003]	50836-2	50836	8
"B"	"A"	MYLAR TAPE PART NUMBER	LOOSE PIECE PART NUMBER	

TEC INCORPORATED CUSTOMER SERVICE SYSTEMS		MAX RECOMMENDED OPERATING TEMPERATURE: 288°C [550° F]	THIS DRAWING IS A CONTROLLED DOCUMENT.		DWN R.GRZYBOWSKI 18SEP09 CHK T.MICHELUTTI 18SEP09 APVD M.PERCHEKKE 18SEP09	TE Connectivity			
FOR ADDITIONAL PRODUCT INFORMATION OR COPIES OF DRAWINGS AND TECHNICAL DOCUMENTS 1-800-522-6752	PRODUCT INFORMATION CENTER 1-800-522-6752	VOLTAGE RATING: 300V MAX	DIMENSIONS: mm(INCHES)	TOLERANCES UNLESS OTHERWISE SPECIFIED: 0 PLC ±- 1 PLC ±- 2 PLC ±- 3 PLC ± 0.20[.008] 4 PLC ±- 5 PLC ±- 6 ANGLES ±-	NAME TERMINAL, PIDG, STRATO-THERM, RING TONGUE, WIRE SIZE: 18-16	SIZE A3	CAGE CODE 00779	DRAWING NO C=50836	RESTRICTED TO ---
FOR APPLICATION TOOLING ASSISTANCE CENTER 1-800-722-1111	TOOLING INFORMATION 1-800-722-1111	CIRCULAR MIL AREA: 0.81-1.42mm² [1600-2800] STRANDED WIRE ONLY	MATERIAL 4 5 6	FINISH 4 5 6	APPLICATION SPEC ---	WEIGHT ---	CUSTOMER DRAWING		SCALE 5:1 SHEET 1 of 1 REV L5