

4

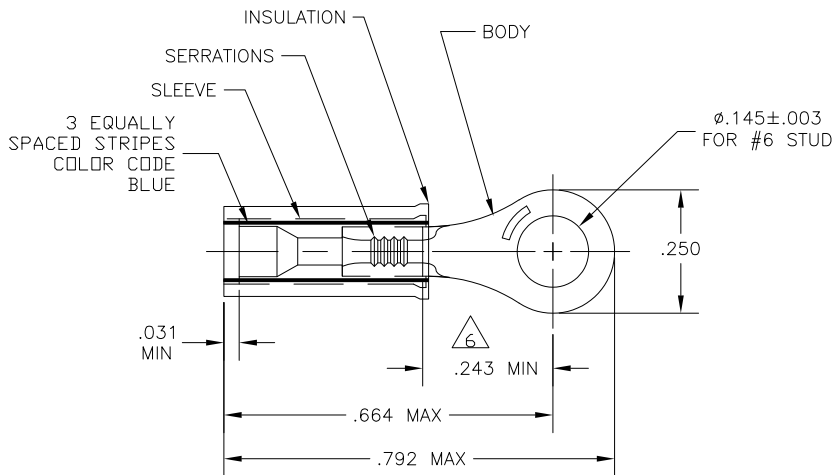
3

2

1

THIS DRAWING IS UNPUBLISHED. RELEASED FOR PUBLICATION  
 © COPYRIGHT - BY TYCO ELECTRONICS CORPORATION. ALL RIGHTS RESERVED.

LOC	DIST	REVISIONS				
P	LTR	DESCRIPTION	DATE	DWN	APVD	
G	14	E1	REV PER ECR 10-000950	14JAN10	JR	TM



- 1 MUST BE CRIMPED WITH A 22-18 OR 22-16 PIDG ( RED ) TOOL.
- 2 WIRE INSULATION DIA: .031-.055
- 3 TONGUE MATERIAL THK: .027±.002
- 4 BODY & SLEEVE: TIN .000100 MIN THK PER ASTM B545.
- 5 MATERIAL: BODY & SLEEVE- CU PER ASTM B152 INSULATION - NYLON PER ASTM D4066 COLOR - YELLOW
- 6 APPLIES FROM EDGE OF METAL BBL TO THE CENTER OF STUD HOLE.
- 7 MEETS M7928/1-8, CLASS 1 & 2

2500	ON TAPE, REEL	53055-1
1000	LOOSE PIECE	△ 53055
QTY	PACKAGE TYPE	PART NO.

CUSTOMER SERVICE SYSTEMS		THIS DRAWING IS A CONTROLLED DOCUMENT.		DWN		14JAN10		Tyco Electronics Corporation	
FOR ADDITIONAL PRODUCT INFORMATION OR COPIES OF DRAWINGS AND TECHNICAL DOCUMENTS		MAX RECOMMENDED OPERATING TEMPERATURE: 150°C MAX		DWN JR RUTH		14JAN10		Harrisburg, Pa 17105-3608	
PRODUCT INFORMATION CENTER 1-800-522-6752		VOLTAGE RATING: 300 V MAX		CHK T MICHELUTTI		15JAN10		Tyco Electronics	
FOR APPLICATION TOOLING ASSISTANCE CENTER		CIRCULAR MIL AREA: 0.10-0.26mm² [202-509] STRANDED		APVD T MICHELUTTI		15JAN10		NAME	
TOOLING INFORMATION 1-800-722-1111		DIMENSIONS: INCHES		TOLERANCES UNLESS OTHERWISE SPECIFIED:		PRODUCT SPEC		TERMINAL, RING TONGUE, PIDG, INSULATION RESTRICTING WIRE SIZE: 24 AWG	
FOR ORDER ENTRY 1-800-526-5142		MATERIAL		FINISH		APPLICATION SPEC		SIZE CAGE CODE DRAWING NO	
THIS DRAWING IS A CONTROLLED DOCUMENT FOR AMP INCORPORATED. IT IS SUBJECT TO CHANGE AND THE CONTROLLING ENGINEERING ORGANIZATION SHOULD BE CONTACTED FOR THE LATEST REVISION.		- △ 4		- △ 5		WEIGHT		A3 00779 C-53055	
AMP 1470-19 REV 31MAR2000		CUSTOMER DRAWING		SCALE 4:1		SHEET 1 OF 1		REV E1	