

4

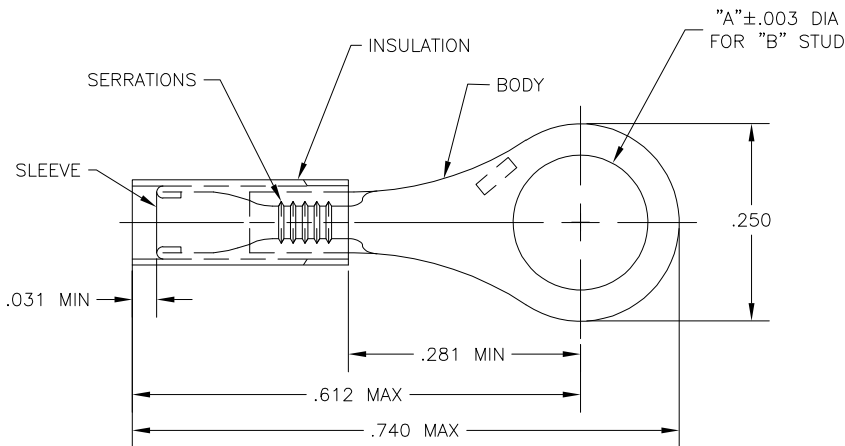
3

2

1

THIS DRAWING IS UNPUBLISHED. RELEASED FOR PUBLICATION
 © COPYRIGHT - BY TYCO ELECTRONICS CORPORATION. ALL RIGHTS RESERVED.

LOC	DIST	REVISIONS			
P	LTR	DESCRIPTION	DATE	DWN	APVD
G	02				
	P2	REV PER ECR 06-028261	04DEC06	JR	TM



- 1 STAMPED AMP, LOCATION APPROX AS SHOWN
- 2 TONGUE MATERIAL THK IS .018±.002
- 3 BODY: COPPER ASTM B152
NICKEL PL QQ-N-290
.0003 AVG EXT. THK
- 4 SLEEVE: COPPER ASTM B152
NICKEL PL QQ-N-290
.00003 AVG EXT. THK
- 5 INSULATION: TEFLON ASTM D3295
COLOR - BLACK
- 6 FOR .032 TO .082 WIRE
INSULATION DIA.

1000	.197	#10	LOOSE PIECE	50830-2
1000	.171	#8	LOOSE PIECE	50830-1
1000	.145	#6	LOOSE PIECE	50830
QTY	"A"	"B"	PACKAGE TYPE	PART NO

AMP INCORPORATED CUSTOMER SERVICE SYSTEMS		MAX RECOMMENDED OPERATING TEMPERATURE: 288°C	THIS DRAWING IS A CONTROLLED DOCUMENT.		DWN jr ruth 11AUG03	Tyco Electronics Corporation Harrisburg, PA 17105-3608
FOR ADDITIONAL PRODUCT INFORMATION OR COPIES OF DRAWINGS AND TECHNICAL DOCUMENTS	PRODUCT INFORMATION CENTER 1-800-522-6752	VOLTAGE RATING: 300V MAX	DIMENSIONS: INCHES	TOLERANCES UNLESS OTHERWISE SPECIFIED: 0 PLC ± - 1 PLC ± - 2 PLC ± - 3 PLC ± .005 4 PLC ± - ± 1°	CHK T MICHELUTTI 12AUG03	
FOR APPLICATION	TOOLING ASSISTANCE CENTER 1-800-722-1111	CIRCULAR MIL AREA: 0.12-0.24mm² [238-475] STRANDED	MATERIAL		APVD T MICHELUTTI 12AUG03	PRODUCT SPEC -
TOOLING INFORMATION			FINISH		APPLICATION SPEC -	SIZE A3
FOR ORDER ENTRY	1-800-526-5142	THIS DRAWING IS A CONTROLLED DOCUMENT FOR AMP INCORPORATED. IT IS SUBJECT TO CHANGE AND THE CONTROLLING ENGINEERING ORGANIZATION SHOULD BE CONTACTED FOR THE LATEST REVISION.			WEIGHT -	CAGE CODE 00779
						DRAWING NO C-50830
						RESTRICTED TO -
						SCALE 8:1
						SHEET 1 OF 1
						REV P2

AMP 1470-19 REV 31MAR2000