

THIS DRAWING IS UNPUBLISHED. RELEASED FOR PUBLICATION  
 © COPYRIGHT - By - ALL RIGHTS RESERVED.

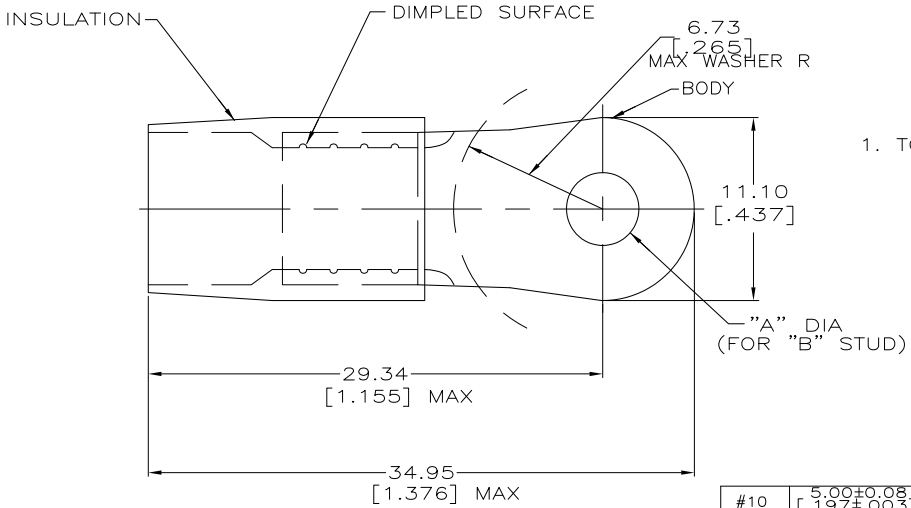
LOC	DIST	REVISIONS			
P	LTR	DESCRIPTION	DATE	DWN	APVD
G	14	D2	REVISED PER ECO-11-004917	11MAR11	RK HMR

**AMP**  
WIRE RANGE

4 AWG  
STRANDED

**METRIC**  
DIMENSIONS LISTED IN mm [ INCHES ]

1. TONGUE MATERIAL THK 1.22±0.08 [.048±.003]  
FOR 9.70 [.382] MAX INS DIA



#10	5.00±0.08 [.197±.003]	-	LOOSE PC	1-331456-0
#8	4.43±0.08 [.171±.003]	-		331456
"B"	"A"	QTY	PACKAGE TYPE	PART NO

AMP INCORPORATED CUSTOMER SERVICE SYSTEMS		MAX RECOMMENDED OPERATING TEMPERATURE: 105° c	THIS DRAWING IS A CONTROLLED DOCUMENT.		DWN S.S. GOULDEN 6-21-93	TE Connectivity	NAME TERMINAL, RING TONGUE, TERMINYL WIRE SIZE: 4 AWG	SIZE A3	CAGE CODE 00779	DRAWING NO C=331456	RESTRICTED TO -
FOR ADDITIONAL PRODUCT INFORMATION OR COPIES OF DRAWINGS AND TECHNICAL DOCUMENTS	PRODUCT INFORMATION CENTER 1-800-522-6752	VOLTAGE RATING: -	DIMENSIONS: MM(INCHES)	TOLERANCES UNLESS OTHERWISE SPECIFIED: 0 PLC ± - 1 PLC ± - 2 PLC ± 0.20[.008] 3 PLC ± - 4 PLC ± - ANGLES ± -	CHK R. HERSEY 6-21-93						
FOR APPLICATION	TOOLING ASSISTANCE CENTER 1-800-722-1111	CIRCULAR MIL AREA: 16.8-26.7mm² [33,100-52,600] STRANDED	MATERIAL COPPER PER ASTM B-152 NYLON (MIL-M-20693) TYPE 1 COLOR: YELLOW		FINISH TIN PLATE PER MIL-T-10727		CUSTOMER DRAWING				