

4

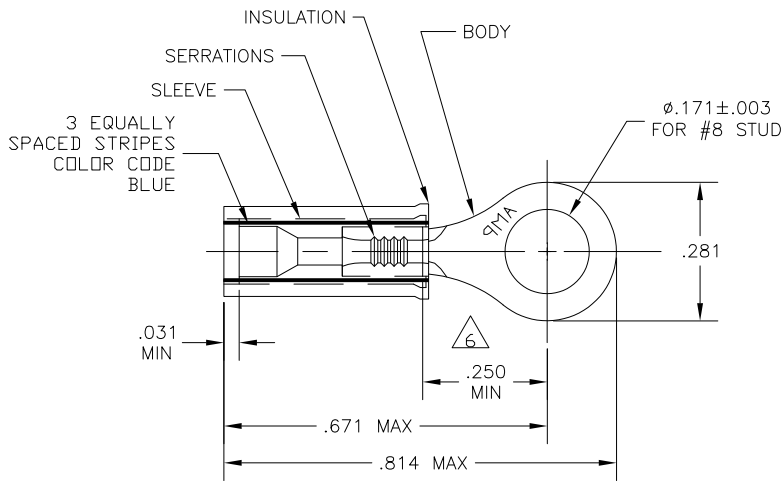
3

2

1

THIS DRAWING IS UNPUBLISHED. RELEASED FOR PUBLICATION
 © COPYRIGHT - BY TYCO ELECTRONICS CORPORATION. ALL RIGHTS RESERVED.

LOC	DIST	REVISIONS				
P	LTR	DESCRIPTION	DATE	DWN	APVD	
G	14	E1	REV PER ECR 10-000950	14JAN10	JR	TM



- 1 MUST BE CRIMPED WITH A 22-18 OR 22-16 PIDG (RED) TOOL.
- 2 WIRE INSULATION DIA: .031-.055
- 3 TONGUE MATERIAL THK: .027±.002
- 4 BODY & SLEEVE: TIN .000100 MIN THK PER ASTM B545.
- 5 MATERIAL: BODY & SLEEVE- CU PER ASTM B152 INSULATION - NYLON PER ASTM D4066 COLOR - YELLOW
- 6 APPLIES FROM EDGE OF METAL BBL TO THE CENTER OF STUD HOLE.
- 7 MEETS M7928/1-9, CLASS 1 & 2

SUPERSEDED BY 53056	5000	ON TAPE, REEL	— 53056 — 1
	1000	LOOSE PIECE	△ 53056
QTY	PACKAGE TYPE	PART NO.	

CUSTOMER SERVICE SYSTEMS		MAX RECOMMENDED OPERATING TEMPERATURE: 150°C MAX	THIS DRAWING IS A CONTROLLED DOCUMENT.		DWN JR RUTH 14JAN10	Tyco Electronics Corporation Harrisburg, Pa 17105-3608	
FOR ADDITIONAL PRODUCT INFORMATION OR COPIES OF DRAWINGS AND TECHNICAL DOCUMENTS	PRODUCT INFORMATION CENTER 1-800-522-6752	VOLTAGE RATING: 300 V MAX	DIMENSIONS: INCHES	TOLERANCES UNLESS OTHERWISE SPECIFIED: 0 PLC ± - 1 PLC ± - 2 PLC ± 0.20[.008] 3 PLC ± - 4 PLC ± - ANGLES ± -	CHK T MICHELUTTI 15JAN10	NAME T MICHELUTTI	
FOR APPLICATION TOOLING INFORMATION	TOOLING ASSISTANCE CENTER 1-800-722-1111	CIRCULAR MIL AREA: 0.10-0.26mm² [202-509] STRANDED		MATERIAL	APVD T MICHELUTTI 15JAN10	PRODUCT SPEC ---	
FOR ORDER ENTRY	1-800-526-5142	THIS DRAWING IS A CONTROLLED DOCUMENT FOR AMP INCORPORATED. IT IS SUBJECT TO CHANGE AND THE CONTROLLING ENGINEERING ORGANIZATION SHOULD BE CONTACTED FOR THE LATEST REVISION.		FINISH	APPLICATION SPEC ---	SIZE A3	CAGE CODE 00779
					WEIGHT -	DRAWING NO C-53056	RESTRICTED TO -
					CUSTOMER DRAWING		SCALE 4:1
					SHEET 1 OF 1		REV E1

AMP 1470-19 REV 31MAR2000