

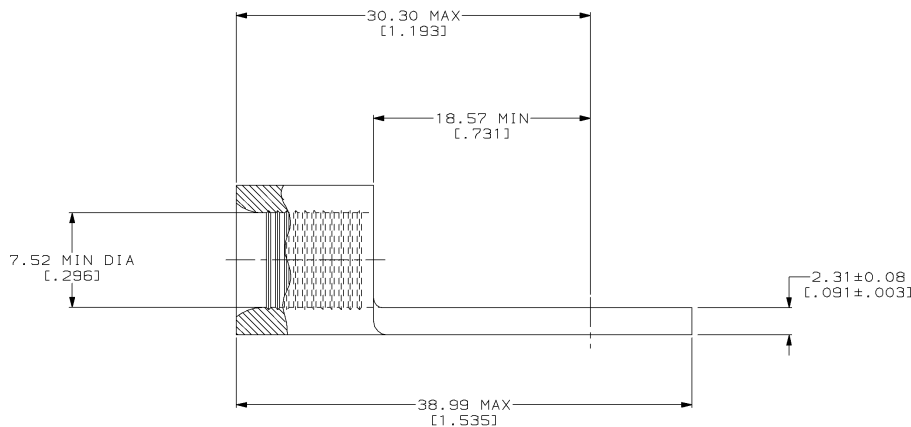
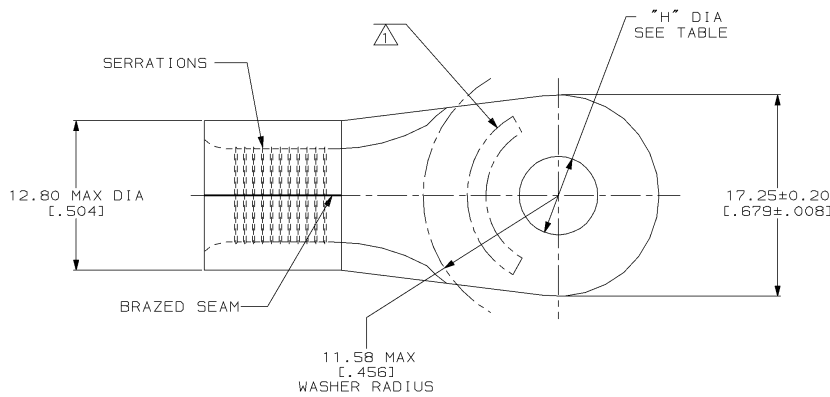
DRAWING MADE IN THIRD ANGLE PROJECTION  
 THIS DRAWING IS UNPUBLISHED. RELEASED FOR PUBLICATION  
 © COPYRIGHT 19 BY AMP INCORPORATED. ALL INTERNATIONAL RIGHTS RESERVED.

LOC	DIST	ZONE	LTR	DESCRIPTION	DATE	APPD
G	14	P	F	B	REV & REDRAWN PER 0720-0040-93	3-24-93

**METRIC**  
 DIMENSIONS LISTED IN mm [ INCHES ]

<b>AMP</b> WIRE RANGE	Listed
4HD AWG SOLID OR STRANDED	4HD AWG STRANDED
LR7189 Certified	MILITARY P/N AND CLASS
4HD AWG SOLID OR STRANDED	NOT APPLICABLE

STAMP AMP 4HDW\* APPROX AS SHOWN



3/8	9.91±0.13 DIA [ .390±.005 ]	1-331420-1
5/16	8.33±0.13 DIA [ .328±.005 ]	1-331420-0
1/4	6.73±0.13 DIA [ .265±.005 ]	331420
STUD SIZE	"H"	PART NO

<b>AMP INCORPORATED CUSTOMER SERVICE SYSTEMS</b>		MAX RECOMMENDED OPERATING TEMPERATURE: 170°C MAX	DO NOT SCALE PRINT. UNLESS SPECIFIED DIMENSIONS IN mm (INCHES) TOLERANCES ON: 2 PLC DEC ± - 3 PLC DEC ± - ANGLES ± -	DR 3-24-93 TA BRINKMAN CHK 3-24-93 DA PATTERSON APPD 3-24-93 DE MILLER	<b>AMP</b> AMP Incorporated Harrisburg, PA 17105-3608	
FOR ADDITIONAL PRODUCT INFORMATION OR COPIES OF DRAWINGS AND TECHNICAL DOCUMENTS	PRODUCT INFORMATION CENTER 1-800-522-6752	VOLTAGE RATING: NOT APPLICABLE	MATERIAL COPPER PER ASTM B-152 ANNEALED	NAME JL MECKLEY		
FOR APPLICATION TOOLING INFORMATION	TOOLING ASSISTANCE CENTER 1-800-722-1111	WIRE CROSS SECTIONAL AREA RANGE: 16.8-26.7MM² [33,100-52,600] CIR MILS SOLID OR STRANDED	FINISH TIN PLATE 0.00254 [ .000100 ] MIN THK PER MIL-T-10727	APPLICATION SPEC -	SIZE 00779	
FOR ORDER ENTRY	1-800-526-5142	THIS DRAWING IS A CONTROLLED DOCUMENT FOR AMP INCORPORATED. IT IS SUBJECT TO CHANGE AND THE CONTROLLING ENGINEERING ORGANIZATION SHOULD BE CONTACTED FOR THE LATEST REVISION.		WEIGHT -	DRAWING NO 331420	
					SCALE 4:1	SHEET 1 OF 1

CUSTOMER DRAWING

AMP 1471-6 REV 3-92  
 10\_SEP\_1993 10:14:37 AMP26463 <US128A>DEPT1123>DWG1123>U\_SOL1STRAND>U\_INL\_NE