

4

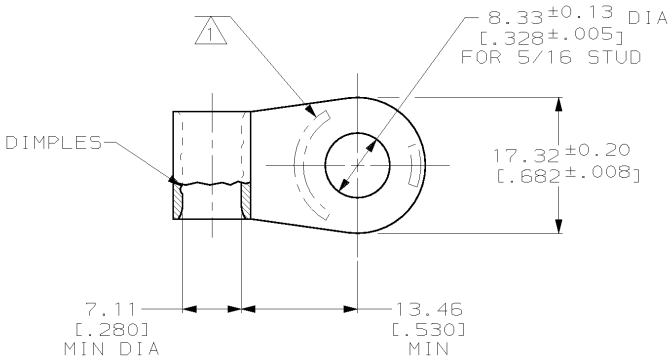
3

2

1

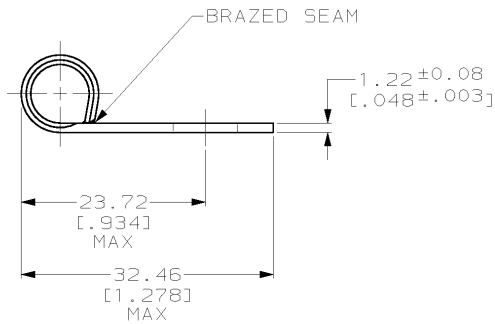
THIS DRAWING IS UNPUBLISHED. RELEASED FOR PUBLICATION .19  
 © COPYRIGHT 19 BY AMP INCORPORATED. ALL RIGHTS RESERVED.

LOC	DIST	REVISIONS					
		P	LTR	DESCRIPTION	DATE	DWN	APVD
G	14			REVISED PER 0L20-0224-97	15OCT97	DKS	MJS



<b>AMP</b> WIRE RANGE	<b>UL</b> E13288 Listed
4 AWG SOLID OR STRANDED	4 AWG STRANDED
<b>SA</b> LR7189 Certified	MILITARY P/N AND CLASS
4 AWG SOLID OR STRANDED	NOT APPLICABLE

△ STAMP AMP 4W\* 40-50 APPROX AS SHOWN



321060  
AMP  
PART NUMBER

**AMP INCORPORATED  
CUSTOMER SERVICE SYSTEMS**

THIS DRAWING IS A CONTROLLED DOCUMENT FOR AMP INCORPORATED.  
 IT IS SUBJECT TO CHANGE AND THE CONTROLLING ENGINEERING  
 ORGANIZATION SHOULD BE CONTACTED FOR THE LATEST REVISION.

DWN DK SCHRUM 15OCT97  
 CHK MJ SPICER 15OCT97  
 APVD JL MECKLEY 15OCT97

**AMP** AMP Incorporated  
 Harrisburg, PA 17105-3608

FOR ADDITIONAL PRODUCT INFORMATION OR COPIES OF DRAWINGS AND TECHNICAL DOCUMENTS	PRODUCT INFORMATION CENTER 1-800-522-6752	RECOMMENDED OPERATING TEMPERATURE: 170°C MAX
FOR APPLICATION TOOLING INFORMATION	TOOLING ASSISTANCE CENTER 1-800-722-1111	VOLTAGE RATING: NOT APPLICABLE
FOR ORDER ENTRY	1-800-526-5142	WIRE CROSS SECTIONAL AREA RANGE: 16.8-26.7mm <sup>2</sup> [33,100-52,600] CIR MILS SOLID OR STRANDED

DIMENSIONS:	TOLERANCES UNLESS OTHERWISE SPECIFIED:
mm (INCHES)	
0 PLC	±
1 PLC	±
2 PLC	±0.20 (.008)
3 PLC	±
4 PLC	±
ANGLES	±

NAME	TERMINAL, RING TONGUE, FLAG, SOLISTRAND™
PRODUCT SPEC	
APPLICATION SPEC	
WEIGHT	-
CUSTOMER DRAWING	

SIZE	A3	CAGE CODE	00779	DRAWING NO	C-321060
SCALE	2:1	SHEET	1 OF 1	REV	C

AMP 1470-19 REV 09MAY94

15-OCT-97 10:46:47 amp26463 /ws/dept1123/dwg1123/u.solistrand/u.Flag