

4

3

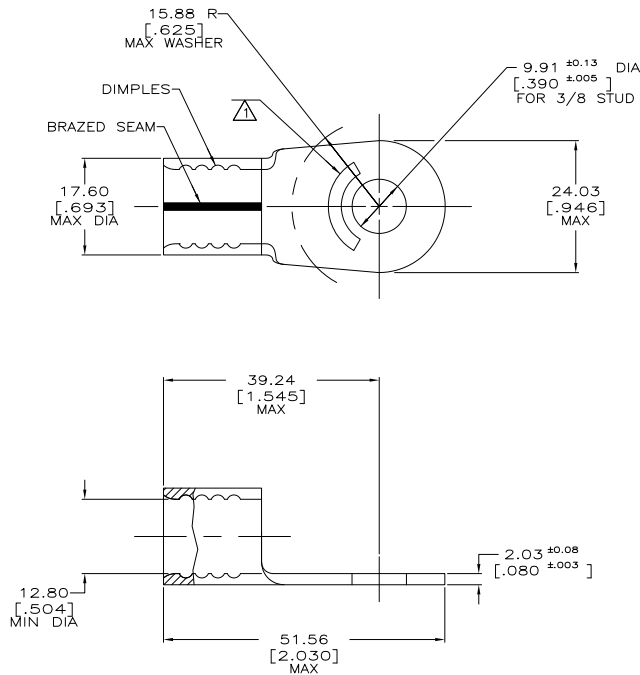
2

1

THIS DRAWING IS UNPUBLISHED. RELEASED FOR PUBLICATION
 © COPYRIGHT BY TYCO ELECTRONICS CORPORATION. ALL INTERNATIONAL RIGHTS RESERVED.

LOC	DIST	REVISIONS		
P	LTR	DESCRIPTION	DATE	BY
G	14			
N		REV PER EDR 10-000722	25JAN10	JR TM

AMP WIRE RANGE	E13288 Listed	LR7189 Certified
2/0 AWG SOLID OR STRANDED	2/0 AWG STRANDED	2/0 AWG SOLID OR STRANDED



- △ STAMP AMP 2/0W* APPROX AS SHOWN
 △ COPPER PER ASTM B-152, ANNEALED
 △ TIN PLATE 0.00254 [0.000100] MIN THK EXT. PER ASTM B-545
- 4 MAX RECOMMENDED OPERATING TEMP IS 170°C.
- 5 WIRE CROSS SECTIONAL AREA RANGE: 60.6-76.3mm² [119,500-150,500] CMA SOLID OR STRANDED.

25	SMALL PACK	8-36923-3
50	LOOSE PIECE	36923
QTY	PACKAGING TYPE	PART NO.

THIS DRAWING IS A CONTROLLED DOCUMENT.		DRK SCHRUM 1/14/94	Tyco Electronics Corporation Harrisburg, PA 17105-3608	
DIMENSIONS: MM [INCHES]		CHK AL KAUFMAN 1/19/94	TERMINAL, RING TONGUE, SOLISTRAND	
TOLERANCES UNLESS OTHERWISE SPECIFIED:		APPD JIL MECKLEY 1/19/94	APPLICATION SPEC: -	
0 PLC ± .005		PRODUCT SPEC: -		
1 PLC ± .005		SIZE CASE CODE DRAWING NO: A2 00779 C-36923		
2 PLC ± .005		RESTRICTED TO: -		
3 PLC ± .005		MATERIAL: -		
4 PLC ± .005		WEIGHT: -		
ANGLES ± .5		CUSTOMER DRAWING		
FINISH: △		SCALE: 2:1 SHEET 1 of 1 REV N		

1471-9 (1/08)

36923

B

A