

4

3

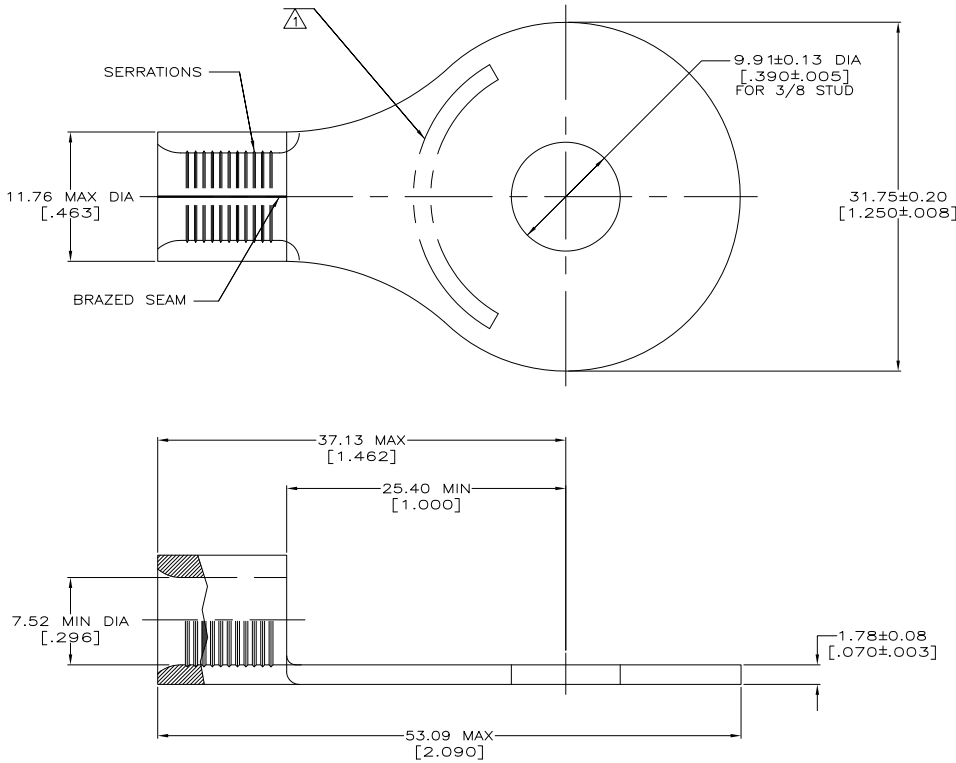
2

1

THIS DRAWING IS UNPUBLISHED. RELEASED FOR PUBLICATION.
 © COPYRIGHT BY TYCO ELECTRONICS CORPORATION. ALL INTERNATIONAL RIGHTS RESERVED.

LOC	DIST	REVISIONS		
		REV	DESCRIPTION	DATE
G	14	F	LR	
		E	REVISED PER ECR-09-020122	25SEP09 HMR TM

△ STAMP AMP 4* APPROX AS SHOWN



AMP WIRE RANGE	E13288 Listed
4 AWG SOLID OR STRANDED	4 AWG STRANDED
LR7189 Certified	
4 AWG SOLID OR STRANDED	

AMP INCORPORATED CUSTOMER SERVICE SYSTEMS		MAX RECOMMENDED OPERATING TEMPERATURE: 170° C MAX
FOR ADDITIONAL PRODUCT INFORMATION OR COPIES OF DRAWINGS AND TECHNICAL DOCUMENTS	PRODUCT INFORMATION CENTER 1-800-522-6752	VOLTAGE RATING: NOT APPLICABLE
FOR APPLICATION TOOLING INFORMATION	TOOLING ASSISTANCE CENTER 1-800-722-1111	WIRE CROSS SECTIONAL AREA RANGE: 16.8-26.7mm ² [33,100-52,600] CIR MILS SOLID OR STRANDED
FOR ORDER ENTRY	1-800-526-5142	THIS DRAWING IS A CONTROLLED DOCUMENT FOR AMP INCORPORATED. IT IS SUBJECT TO CHANGE AND THE CONTROLLING ENGINEERING ORGANIZATION SHOULD BE CONTACTED FOR THE LATEST REVISION.

THIS DRAWING IS A CONTROLLED DOCUMENT.		DRW JA BRINKMAN 3-29-93	Tyco Electronics Corporation Harrisburg, PA 17105-3608	PART NO. 36815
DIMENSIONS: mm [INCHES]		CHK JA PATTERSON 3-29-93		NAME DE MILLER 3-29-93
TOLERANCES UNLESS OTHERWISE SPECIFIED:		0 PLC ± .-	APPLICATION SPEC:	RESTRICTED TO
1 PLC ± .-		2 PLC ± .-	WEIGHT	SIZE CASE CODE DRAWING NO
3 PLC ± .-		4 PLC ± .-	MATERIAL	A2 00779 C=36815
MATERIAL		FINISH	COPPER PER ASTM B152 ANNEALD	CUSTOMER DRAWING
		TIN PLATE 0.00548 (0.00021) MIN THK PER ASTM B646		SCALE 4:1 SHEET 1 of 1 REV E

1471-9 (1/08)

36815

A