

4

3

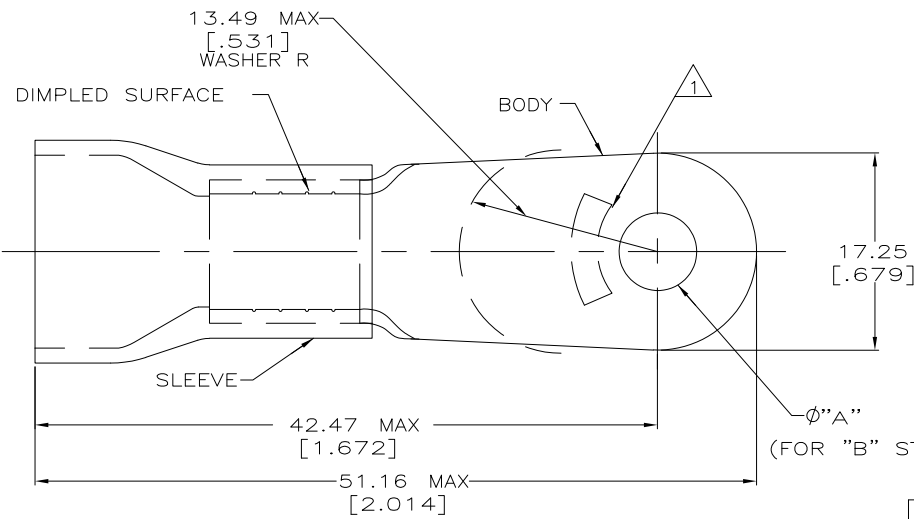
2

1

THIS DRAWING IS UNPUBLISHED. RELEASED FOR PUBLICATION  
 © COPYRIGHT - BY TYCO ELECTRONICS CORPORATION. ALL INTERNATIONAL RIGHTS RESERVED.

LOC	DIST	REVISIONS				
P	LTR	DESCRIPTION	DATE	DWN	APVD	
G	14	U2	REVISED PER ECO-11-002228	11FEB11	HMR	DR

<b>AMP</b> WIRE RANGE	FILE E13288	LR7189 Certified
4 AWG STRANDED	4 AWG STRANDED	4 AWG STRANDED



- △ 1 STAMP AMP 4\* LOCATE APPROX AS SHOWN
- 2 TONGUE MATERIAL THK 1.22±0.08 [.048±.003]
- 3 SEE TABLE FOR WIRE INSULATION DIA MAX
- △ 4 FOREIGN PRODUCTION ONLY
- 5 TAPE ITEMS ARE ON 30.48[1.200] CENTERS
- △ 6 OBSOLETE PARTS.
- △ 7 NOTE DELETED

WIRE INSULATION DIA	"B"	"A"	QTY	PACKAGE TYPE	PART NO
11.43 [.450]	3/8	9.91±0.13 [.390±.005]	20	LOOSE PC, BOX SPL	△ 6 52266-5
	5/16	8.33±0.13 [.328±.005]	500	ON TAPE	1-52266-0 52266-9
	1/2	13.08±0.13 [.515±.005]	-	LOOSE PC	△ 6 52266-5-△ 4
	3/8	9.91±0.13 [.390±.005]	100		52266-4
	5/16	8.33±0.13 [.328±.005]	100		52266-3
13.08 [.515]	1/2	13.08±0.13 [.515±.005]	-		△ 6 52266-2-△ 4
	3/8	9.91±0.13 [.390±.005]	100		52266-1
	5/16	8.33±0.13 [.328±.005]			52266

**AMP INCORPORATED  
CUSTOMER SERVICE SYSTEMS**

MAX RECOMMENDED OPERATING TEMPERATURE:  
105° C

VOLTAGE RATING:  
600 V MAX

CIRCULAR MIL AREA:  
16.77-26.65mm<sup>2</sup> [33,100-52,600]  
STRANDED

FOR ADDITIONAL PRODUCT INFORMATION OR COPIES OF DRAWINGS AND TECHNICAL DOCUMENTS: 1-800-522-6752

FOR APPLICATION TOOLING ASSISTANCE CENTER: 1-800-722-1111

FOR ORDER ENTRY: 1-800-526-5142

THIS DRAWING IS A CONTROLLED DOCUMENT FOR AMP INCORPORATED. IT IS SUBJECT TO CHANGE AND THE CONTROLLING ENGINEERING ORGANIZATION SHOULD BE CONTACTED FOR THE LATEST REVISION.

THIS DRAWING IS A CONTROLLED DOCUMENT.

DIMENSIONS: mm [INCHES]

TOLERANCES UNLESS OTHERWISE SPECIFIED:

0 PLC	± -
1 PLC	± -
2 PLC	± 0.20[.008]
3 PLC	± -
4 PLC	± -
ANGLES	± -

MATERIAL: COPPER PER ASTM B-152 PVC, COLOR: YELLOW

FINISH: TIN PLATE PER ASTM-B545

DWN: S.S. GOULDEN 9-29-93  
CHK: R. HERSEY 9-29-93  
APVD: B. BARE 9-29-93

NAME: Tyco Electronics  
Tyco Electronics Corporation  
Harrisburg, PA 17105-3608

PRODUCT SPEC: NOT AVAILABLE

APPLICATION SPEC: 114-2161

WEIGHT: -

SIZE: A3 CAGE CODE: 00779 DRAWING NO: C-52266

RESTRICTED TO: -

CUSTOMER DRAWING

SCALE: 4:1 SHEET: 1 of 1 REV: U2