

4

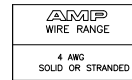
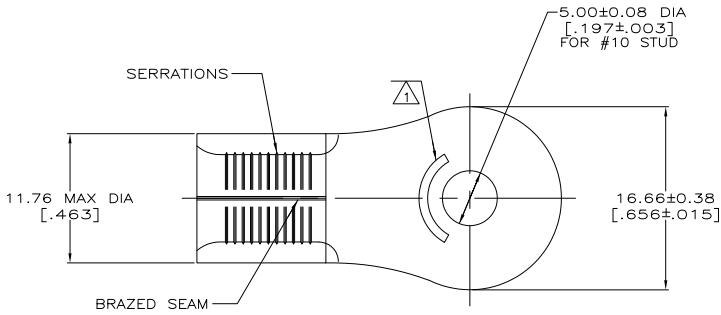
3

2

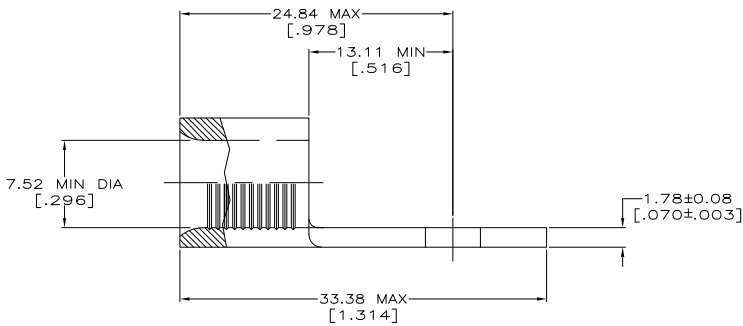
1

THIS DRAWING IS UNPUBLISHED. RELEASED FOR PUBLICATION. ALL RIGHTS RESERVED.

LOC	DIST	REVISIONS		
G	14	P	LTR	DATE
		H2	REVISED PER ECO-11-004917	11MAR11
				REV
				HMR



- 1 STAMP AMP 4* APPROX AS SHOWN
- 2 UL LISTED E13288, 4 AWG STRANDED
- 3 CSA CERTIFIED LR7189, 4 AWG SOLID OR STRANDED
- 4 TIN PLATE 0.00254 [0.00100] MIN THK PER ASTM B545
- 5 TIN-LEAD (60-40) PLATE 0.00254 [0.00100] MIN THK PER SAE-AMS-P-81728
- PRELIMINARY - NOT FOR PRODUCTION



2, 3	4	25	LOOSE PIECE, BOX	8-33468-3
---	4	25	LOOSE PIECE	33468-1
2, 3	4	100	LOOSE PIECE	33468
APPROVALS	FINISH	QTY	PACKAGE TYPE	PART NO.

THIS DRAWING IS A CONTROLLED DOCUMENT.		TE Connectivity	
DR	TA BRINKMAN	3-29-93	
CK	DA PATTERSON	3-29-93	
APP	JL MECKLEY	3-29-93	
PRODUCT SPEC			
APPLICATION SPEC			
WEIGHT		SIZE	CAGE CODE
		A2	00779
			C=33468
MATERIAL	FINISH	CUSTOMER DRAWING	SCALE
ASTM B152	SEE TABLE		4:1
			SHEET
			1 of 1
			REV
			H2

1471-9 (3/11)

33468

A