

4

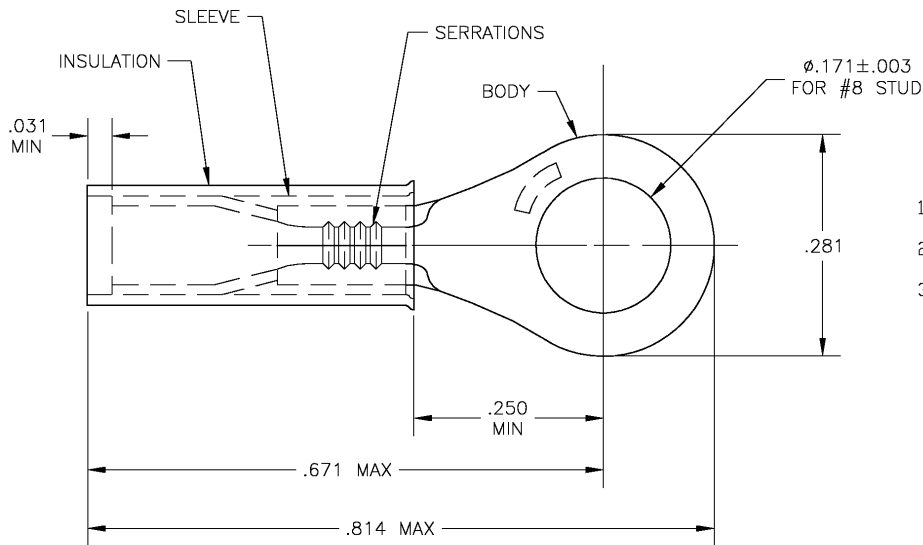
3

2

1

THIS DRAWING IS UNPUBLISHED. RELEASED FOR PUBLICATION
 © COPYRIGHT - BY TYCO ELECTRONICS CORPORATION. ALL RIGHTS RESERVED.

LOC	DIST	REVISIONS				
P	LTR	DESCRIPTION	DATE	DWN	APVD	
G	14	C	REV PER OG3A-0049-04	27JAN04	JR	TM



- 1 TONGUE MATERIAL THK IS $.027 \pm .001$
- 2 FOR .050 TO .105 WIRE INS. DIA.
- 3 MUST BE CRIMPED WITH 22-18 OR 22-16 PIDG (RED) TOOL.

1	OBSELETE 54311-2	54311-1	BODY: COPPER ASTM B152 TIN PL PER ASTM B545 SLEEVE: COPPER ASTM B3 TIN PL PER ASTM B545 INSULATION: NYLON PER ASTM D4066 TYPE I, COLOR, YELLOW
QTY	TAPE NO	PART NO	MATERIAL & FINISH

THIS DRAWING IS A CONTROLLED DOCUMENT.		DWN JR RUTH 27JAN04	Tyco Electronics Corporation Harrisburg, Pa 17105-3608	
DIMENSIONS: INCHES		CHK T MICHELUTTI 27JAN04	NAME TERMINAL, NYLON PIDG, RING TONGUE; WIRE SIZE 26-24	
TOLERANCES UNLESS OTHERWISE SPECIFIED:		APVD T MICHELUTTI 27JAN04	RESTRICTED TO	
0 PLC ± -		PRODUCT SPEC	-	
1 PLC ± -		APPLICATION SPEC	-	
2 PLC ± -		WEIGHT	-	
3 PLC ± .008		SIZE	A3	00779
4 PLC ± -		DRAWING NO	C-54311	
ANGLES ± 1°		CUSTOMER DRAWING	SCALE	8:1
MATERIAL SEE TABLE	FINISH SEE TABLE	SHEET		1 OF 1
		REV		C