

4

3

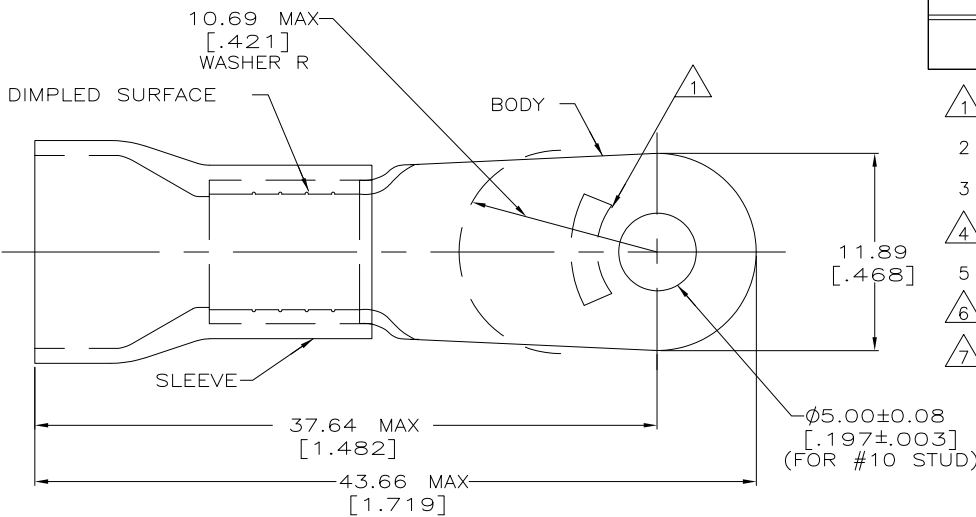
2

1

THIS DRAWING IS UNPUBLISHED. RELEASED FOR PUBLICATION
 © COPYRIGHT - By - ALL RIGHTS RESERVED.

LOC	DIST	REVISIONS			
P	LTR	DESCRIPTION	DATE	DWN	APVD
G	14				
	P4	REVISED PER ECO-11-004917	11MAR11	RK	HMR

AMP WIRE RANGE	FILE E13288	LR7189 Certified
6 AWG STRANDED	6 AWG STRANDED	6 AWG STRANDED



- 1 STAMP AMP 6* LOCATE APPROX AS SHOWN
- 2 TONGUE MATERIAL THK 1.14±0.08[.045±.003]
- 3 SEE TABLE FOR WIRE INSULATION DIA MAX
- 4 FOREIGN PRODUCTION ONLY
- 5 TAPE ITEMS ARE ON 30.48[1.200] CENTERS
- 6 SUPERSEDED BY 8-52265-5
- 7 OBSOLETE PARTS

WIRE INSULATION DIA	QTY	PACKAGE TYPE	PART NO
11.07 [.436]	20	LOOSE PC,BOX SPL	8-52265-6/6
9.14 [.360]	500	LOOSE PC, BOX	8-52265-5
11.07 [.436]		ON TAPE	52265-4
9.14 [.360]			52265-3
9.14 [.360]		LOOSE PC	52265-1/4
11.07 [.436]	100		52265

AMP INCORPORATED CUSTOMER SERVICE SYSTEMS		MAX RECOMMENDED OPERATING TEMPERATURE: 105° C	THIS DRAWING IS A CONTROLLED DOCUMENT.		DWN S.S. GOULDEN 9-29-93	TE Connectivity	
FOR ADDITIONAL PRODUCT INFORMATION OR COPIES OF DRAWINGS AND TECHNICAL DOCUMENTS	PRODUCT INFORMATION CENTER 1-800-522-6752	VOLTAGE RATING: 600 V MAX	DIMENSIONS: mm [INCHES]	TOLERANCES UNLESS OTHERWISE SPECIFIED:	CHK R. HERSEY 9-29-93	NAME	
FOR APPLICATION	TOOLING ASSISTANCE CENTER	CIRCULAR MIL AREA: 10.54-16.77mm² [20,800-33,100] STRANDED		0 PLC ± - 1 PLC ± - 2 PLC ± 0.20[.008] 3 PLC ± - 4 PLC ± - ANGLES ± -	APVD M. ELLIS 9-29-93	PRODUCT SPEC NOT AVAILABLE	
TOOLING INFORMATION	1-800-722-1111		MATERIAL COPPER PER ASTM B-152 PVC, COLOR: BLUE	FINISH TIN PLATE PER ASTM-B545	APPLICATION SPEC 114-2161	SIZE A3	CAGE CODE 00779
FOR ORDER ENTRY	1-800-526-5142	THIS DRAWING IS A CONTROLLED DOCUMENT FOR AMP INCORPORATED. IT IS SUBJECT TO CHANGE AND THE CONTROLLING ENGINEERING ORGANIZATION SHOULD BE CONTACTED FOR THE LATEST REVISION.			WEIGHT -	DRAWING NO C-52265	RESTRICTED TO -
				CUSTOMER DRAWING	SCALE 4:1	SHEET 1 of 1	REV P4