

4

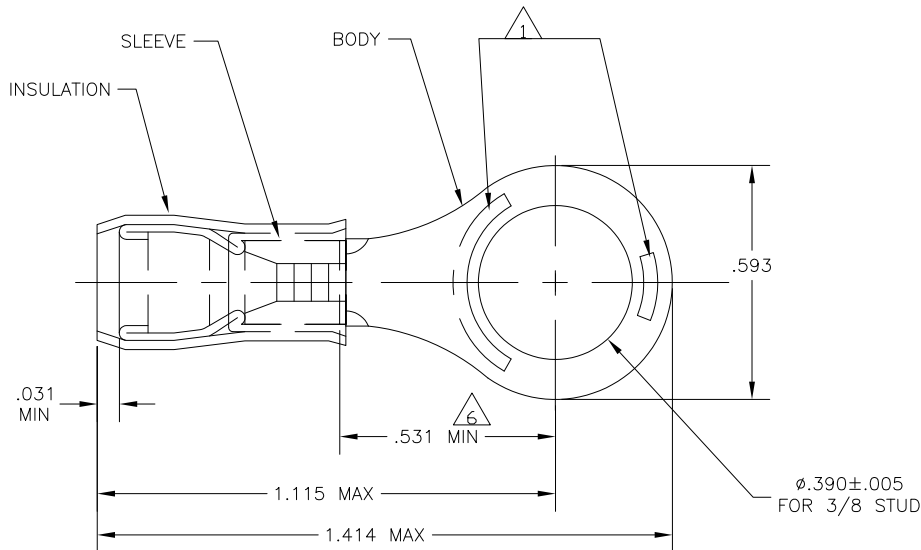
3

2

1

THIS DRAWING IS UNPUBLISHED. RELEASED FOR PUBLICATION
 © COPYRIGHT - By - ALL RIGHTS RESERVED.

LOC	DIST	REVISIONS			
P	LTR	DESCRIPTION	DATE	DWN	APVD
G	14				
	G4	REVISED PER ECO-11-004917	11MAR11	RK	HMR



- ① STAMP AMP 12-10* 6-9 APPROX AS SHOWN
- 2 WIRE INSULATION DIA: .150-.250
- 3 TONGUE MATERIAL THK: .039±.002
- ④ BODY & SLEEVE: TIN PLATE PER ASTM B545
- ⑤ BODY & SLEEVE- CU PER ASTM B152 INSULATION - NYLON, COLOR - YELLOW
- ⑥ APPLIES FROM EDGE OF METAL WIRE BARREL TO CENTER OF STUD HOLE.
- ⑦ SUPERSEDED BY 8-35112-1
- ⑧ MEETS MS25036-114, CLASS 1 & 2

-5	LOOSE PIECE, BOX	7-35112-4	⑦
-25	LOOSE PIECE, BOX	8-35112-4	⑦
100	LOOSE PIECE, BOX	8-35112-1	
1000	TAPE & REEL	2-35112-2	
500	LOOSE PIECE	35112	⑧
QTY	PACKAGE TYPE	PART NO	

AMP INCORPORATED CUSTOMER SERVICE SYSTEMS		MAX RECOMMENDED OPERATING TEMPERATURE: 105°C MAX	THIS DRAWING IS A CONTROLLED DOCUMENT.		DWN JR RUTH 22MAR07	TE Connectivity	
FOR ADDITIONAL PRODUCT INFORMATION OR COPIES OF DRAWINGS AND TECHNICAL DOCUMENTS	PRODUCT INFORMATION CENTER 1-800-522-6752	VOLTAGE RATING: 300 VOLT MAX	DIMENSIONS: INCHES	TOLERANCES UNLESS OTHERWISE SPECIFIED:	CHK T MICHELUTTI 22MAR07	NAME TERMINAL, RING TONGUE, P.I.D.G. WIRE SIZE: 12-10 AWG	
FOR APPLICATION	TOOLING ASSISTANCE CENTER 1-800-722-1111	CIRCULAR MIL AREA: 2.62-6.64mm ² [5,180-13,100] STRANDED OR SOLID		0 PLC ± -	APVD T MICHELUTTI 22MAR07	SIZE	CAGE CODE
TOOLING INFORMATION		1 PLC ± -		1 PLC ± -	PRODUCT SPEC	A3	00779
FOR ORDER ENTRY	1-800-526-5142	THIS DRAWING IS A CONTROLLED DOCUMENT FOR AMP INCORPORATED. IT IS SUBJECT TO CHANGE AND THE CONTROLLING ENGINEERING ORGANIZATION SHOULD BE CONTACTED FOR THE LATEST REVISION.	2 PLC ± -	2 PLC ± -	APPLICATION SPEC	DRAWING NO	RESTRICTED TO
			3 PLC ± .008	3 PLC ± -	WEIGHT	©=35112	
			4 PLC ± -	4 PLC ± -	CUSTOMER DRAWING	SCALE	SHEET
			ANGLES ± -	FINISH		4:1	1 OF 1
			⑤	④			REV
							G4

1470-19 (3/11)