

4

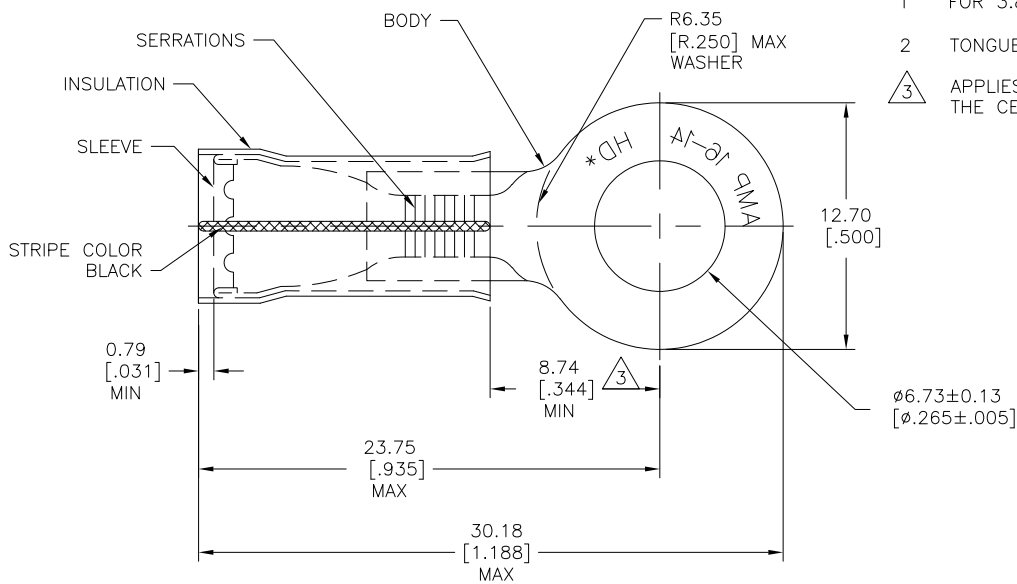
3

2

1

THIS DRAWING IS UNPUBLISHED. RELEASED FOR PUBLICATION  
 © COPYRIGHT - BY TYCO ELECTRONICS CORPORATION. ALL INTERNATIONAL RIGHTS RESERVED.

LOC	DIST	REVISIONS			
P	LTR	DESCRIPTION	DATE	DWN	APVD
G	14				
	E2	REVISED PER ECR-09-026661	07DEC09	JR	TM



- 1 FOR 3.81 [.150] TO 6.35 [.250] WIRE INSULATION DIA.
- 2 TONGUE MATERIAL THK: 1.22±0.05 [.048±.002].
- 3 APPLIES FROM THE METAL EDGE OF THE BARREL TO THE CENTER OF THE STUD

QTY	DESCRIPTION	MATERIAL & FINISH	PART NO
1	323682 ON TAPE	BODY: COPPER (ASTM-B152) TIN PL (ASTM-B545)	2-323682-1
1	WIRE TERMINAL	SLEEVE: COPPER (ASTM-B152) INSULATION: YELLOW NYLON	323682

THIS DRAWING IS A CONTROLLED DOCUMENT.		DWN: RAGHAVENDRA 27AUG09	Tyco Electronics Corporation Harrisburg, PA 17105-3608	
DIMENSIONS: mm [INCHES]		CHK: JEFF RUTH 27AUG09	NAME: TOM MICHIELUTTI	
TOLERANCES UNLESS OTHERWISE SPECIFIED:		APVD: TOM MICHIELUTTI 27AUG09	PRODUCT SPEC: -	
0 PLC ± -		APPLICATION SPEC: -		
1 PLC ± -		WEIGHT: -		
2 PLC ± -		SIZE: A3		
3 PLC ± 0.20 [.008]		CAGE CODE: 00779		
4 PLC ± -		DRAWING NO: 323682		
ANGLES ± 5°		RESTRICTED TO: -		
MATERIAL: SEE TABLE	FINISH: SEE TABLE	CUSTOMER DRAWING		
		SCALE: 5:1	SHEET: 1 of 1	REV: E2